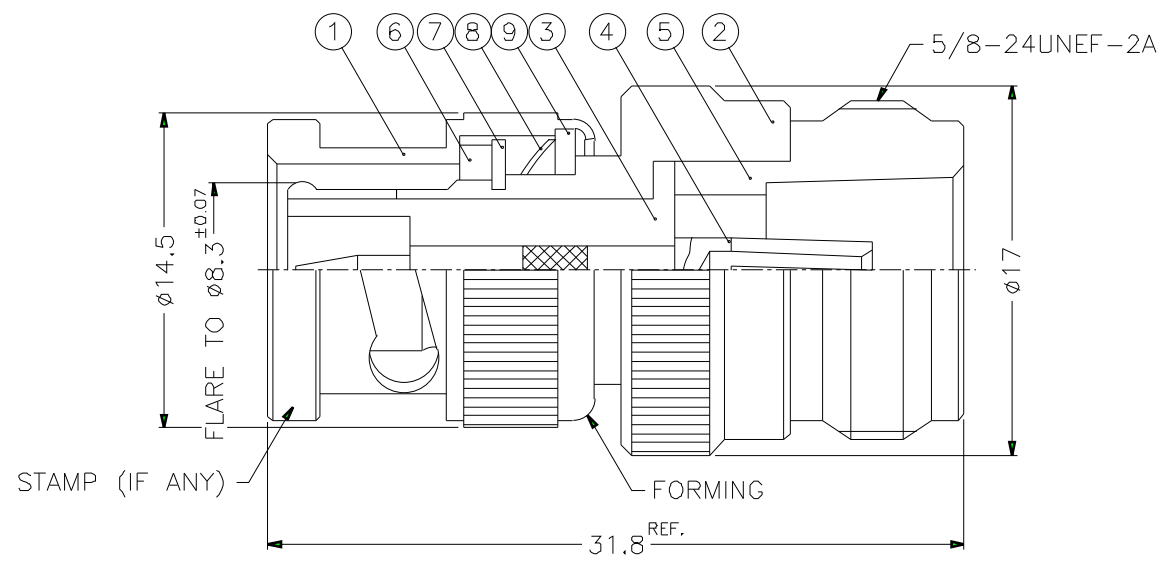


1			2			3			4			5			6			7			8		
REVISIONS																							
ISS	ZONE	DESCRIPTION\PER REQUEST\DATE																					



NOTES: FINISH (PLATING THICKNESS IN MICRO-INCHES)

1. BRASS PER QQ-B-626
2. BRASS PER QQ-B-613
3. NICKEL PL. 100 MIN. THICK OVER COPPER STRIKE
4. NICKEL PL. 200 MIN. THICK OVER COPPER STRIKE
5. PHOSPHOR BRONZE PER QQ-B-750
6. GOLD PL. 3 MIN. THICK OVER NICKEL PL. 100 MIN. THICK OVER COPPER STRIKE
7. TEFLON MIL-P-19468

7	WASHER	NOTE 2	NOTE 3	1	WS-128/9X08
8	SPRING	SK5	NOTE 4	1	B50000-6
7	RETAINER RING	NOTE 1	NOTE 3	1	B50000-5
6	GASKET	RUBBER	RED	1	GS-115/8X15
5	BODY	NOTE 1	NOTE 3	1	RFT-1234-5
4	CONTACT PIN	NOTE 5	NOTE 6	1	RFT-1234-4
3	INSULATOR	NOTE 7	NATURAL	1	RFT-1234-3
2	HOUSING	NOTE 1	NOTE 3	1	242101-2
1	SHELL	NOTE 1	NOTE 3	1	B50000-1-B
NO.	DESCRIPTION	MATERIAL	FINISH	Q'TY	DRAWING NO.

DIMENSIONS ARE IN MILLIMETERS				PART NO. NF-BM-NT3G-50	
UNLESS OTHERWISE SPECIFIED TOLERANCES 0.5-6 = ±0.2 6-30 = ±0.4 30-120 = ±0.6 120-315 = ±1 315-1000 = ±1.6 1000-2000 = ±2.4				APPROVED	DATE 10-11-01'
				CHECKED	DATE 10-11-01'
				DRAWN	DATE 10-11-01'
				SCALE	3/1
ISSUE	A	FILE NO.			

Amphenol

TITLE
N FEMALE TO BNC MALE ADAPTOR

DRAWING NO.
KJ-NF-BM-NT3G-50

ITEM NO.

1			2			3			4			5			6			7			8		
---	--	--	---	--	--	---	--	--	---	--	--	---	--	--	---	--	--	---	--	--	---	--	--