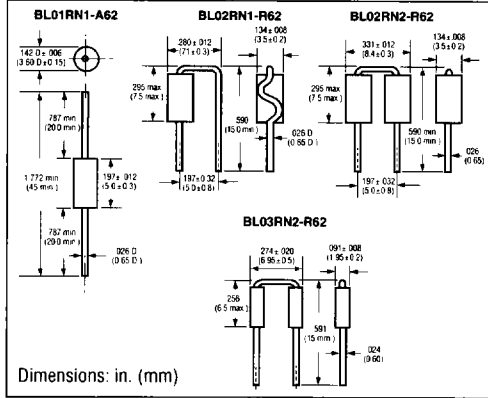


FERRITE BEAD INDUCTORS – BL01/BL02/BL03 SERIES



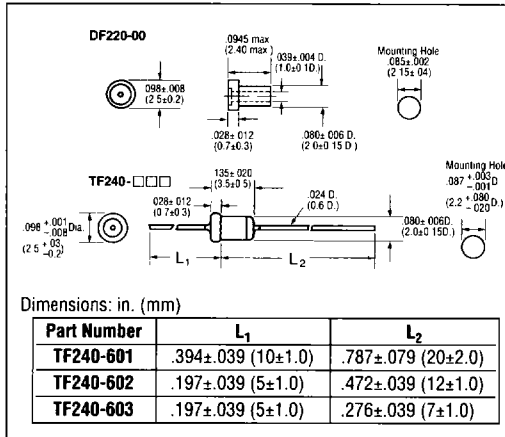
ELECTRICAL CHARACTERISTICS

Item	Characteristics
Permeability	(μ) 550
Saturation Magnetic	(Bs) 3100 (gauss)
Residual Magnetic Flux Density	(Brs) 1700 (gauss)
Coercive Force	(Hc) 0.3 (Oe)
Curie Point	(Tc) 130 (°C)
Temp. Coefficient	($\approx \mu$) 20×10^{-5}
Relative Loss Factor	13×10^{-5}
	(DF/ μ) 0.5 (MHz)
Resistivity	(ρ) 10^7 (Ω -cm)
Rated Current	BL01 & BL02 (A) Tape 6 A max.
	BL01 & BL02 (A) Bulk 7 A max.
	BL03 6 A max.

Part Number	Form
*BL01RN1-A62	Axial Single bead
*BL01RN1-A62T5	Axial Single bead, Taped
*BL02RN1-R62	Radial Single bead
*BL02RN2-R62	Radial Double bead
*BL02RN1-R62T2	Radial Single bead, Taped
*BL02RN2-R62T2	Radial Double bead, Taped
*BL03RN2-R62	Radial Double bead
*BL03RN2-R62T2	Radial Double bead, Taped

Environmental: Operating Temperature: -25°C to +85°C

FEED-THRU CAPACITORS – DF220/TF240 SERIES

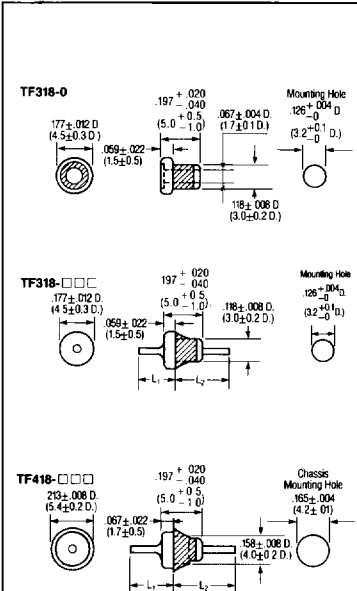


SPECIFICATIONS

Part Number*	Cap. Value	Cap. Tol.	WVDC	DWV	Insertion Loss at 25°C		
					10MHz	100MHz	1GHz
*DF220-00SL020U50V	2pF	+0 -100	50V	125V	—	—	—
*DF220-00B121M50V	120pF	$\pm 20\%$	50V	125V	—	3	20
*DF220-00B221M50V	220pF	$\pm 20\%$	50V	125V	—	7	25
*DF220-00B471M50V	470pF	$\pm 20\%$	50V	125V	—	12	30
*DF220-00E102Z50V	1000pF	+80 -20%	50V	125V	3	18	35
*DF220-00SS152GMV50V	1500pF	+200 -0%	50V	125V	5	20	40
*TF240-□□□SL020D50V	2pF	± 0.5 pF	50V	125V	—	—	—
*TF240-□□□SL220M50V	22pF	$\pm 20\%$	50V	125V	—	—	7
*TF240-□□□B331M50V	330pF	$\pm 20\%$	50V	125V	—	10	27
*TF240-□□□SS332Z50V	3300pF	+80 -20%	50V	125V	10	25	45

For other capacitance values consult factory.
 Operating Temp. Range: -25°C to +85°C
 Insulation Resistance: 100M Ω min.
 □□□ — See DIMENSIONS

FEED-THRU CAPACITORS – TF318/TF418 SERIES



DIMENSIONS: In. (mm)

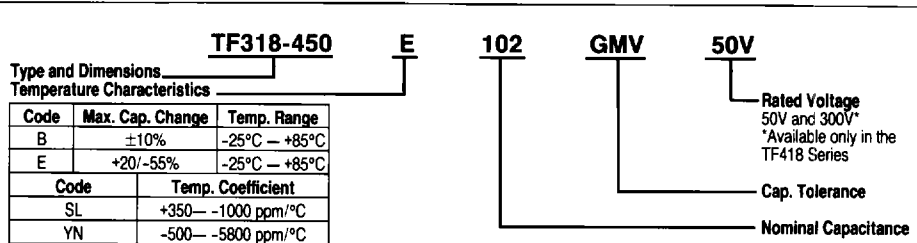
Type	L ₁	L ₂
*TF318-850	984 \pm 079 (25.0 \pm 2.0)	1.18 \pm 0.079 (30.0 \pm 2.0)
*TF318-853	.032 (0.8)	551 \pm 040 (14.0 \pm 1.0)
*TF318-855	.032 (0.8)	433 \pm 020 (11.0 \pm 0.5)
*TF318-053	.040 (1.0)	433 \pm 040 (11.0 \pm 1.0)
TF318-055	.040 (1.0)	276 \pm 028 (7.0 \pm 0.7)
*TF318-450	.055 (1.4)	177 \pm 028 (4.5 \pm 0.7)
*TF318-452	.055 (1.4)	276 \pm 040 (7.0 \pm 1.0)
*TF418-452	.055 (1.4)	283 \pm 040 (7.2 \pm 1.0)
*TF418-454	.055 (1.4)	402 \pm 040 (10.2 \pm 1.0)

SPECIFICATIONS

Part Number	Cap.	Cap. Tol.	Temp. Char.	Rated Volt.
TF318-□SL100G50V	10pF	± 2 pF	SL	50VDC
TF318-□SL220M50V	22pF	$\pm 20\%$	SL	50VDC
TF318-□SL330M50V	33pF	$\pm 20\%$	SL	50VDC
TF318-□SL470M50V	47pF	$\pm 20\%$	SL	50VDC
TF318-□YN101M50V	100pF	$\pm 20\%$	YN	50VDC
TF318-□B271M50V	270pF	$\pm 20\%$	B	50VDC
TF318-□B471M50V	470pF	$\pm 20\%$	B	50VDC
TF318-□E102GMV50V	1000pF	$\pm 20\%$	E	50VDC
TF318-□E152P50V	1500pF	$\pm 10\%$	E	50VDC
TF418-□E102MV300V	1000pF	$\pm 20\%$	E	300VDC
TF418-□E152P300V	1500pF	$\pm 10\%$	E	300VDC

□ Denotes configurations shown above.
 Examples:
 T318-450B271M50V
 T418-452E102GMV300V

PART NUMBERING SYSTEM



*Available as standard through authorized Murata Electronics Distributors.

FEED-THRU CAPACITORS – DF553/DF572 SERIES

SPECIFICATIONS		DF553F102P50	DF572-10F102P500
Part Number		DF553F102P50	DF572-10F102P500
Cap. Value		1000pF	1000pF
Cap. Tolerance		+100/-0%	+100/-0%
Rated Voltage		50VDC	500VDC
Dielectric Strength		125VDC	1250VDC
Insulation Resistance		10000MΩ	10000MΩ
Temp. Characteristic		+30/-80%	+30/-80%
Max. Feed-Thru Current		10A DC	15A DC
Operating Temp. Range		-25°C to +85°C	-25°C to +85°C

EMI SUPPRESSION FILTERS

DS310/DST310/DSS310 SERIES

SPECIFICATIONS		Capacitor			Ferrite Core	Configuration	
Part Number	Rated Current (Between Terminal)	Capacitance	W.V.	T.C.		Dimension	Lead Spacing F ₂
*DS310-55Y5S271M100 *DS310-55Y5S222M100 *DS310-55Y5S223S50 *DS310-55D104M16	7A max.	270pF±20% 2200pF±20% 22000pF ^{+50%} _{-20%} 100,000pF±20%	100V 100V 50V 16V	±22%	None	Fig. 1	.098 (2.5)
*DST310-55Y5S271M100 *DST310-55Y5S222M100 *DST310-55Y5S223S50	7A max.	270pF±20% 2200pF±20% 22000pF ^{+50%} _{-20%}	100V 100V 50V	±22%	Externally Mounted	Fig. 2	.098 (2.5)
*DSS310-55Y5S220M100 *DSS310-55Y5S470M100 *DSS310-55Y5S101M100 *DSS310-55Y5S271M100 *DSS310-55Y5S222M100 *DSS310-55Y5S223S50	7A max.	22pF±20% 47pF±20% 100pF±20% 270pF±20% 2200pF±20% 22000pF ^{+50%} _{-20%}	100V 100V 100V 100V 100V 50V	±22%	Internally Contained	Fig. 3	.098 (2.5)

FOR AUDIO CIRCUITS (LOW DISTORTION TYPE)		Capacitor			Ferrite Core	Configuration	
Part Number	Rated Current (Between Terminal)	Capacitance	W.V.	T.C.		Dimension	Lead Spacing F ₂
*DS310-55BL222M100 *DS310-55DL223S50	7A max.	2200pF±20% 22000pF ^{+50%} _{-20%}	100V 50V	±10% ^{+20%} _{-30%}	Internally Contained	Fig. 3	.098 (2.5)

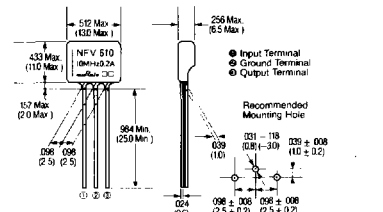
DS306/DSS306/DST306 SERIES

Part Number	Capacitor		Temp. Char.	Ferrite Beads	Dimension
	Capacitance	Rated Volt.			
*DS306-55Y5S470M100 *DS306-55Y5S101M100 *DS306-55Y5S271M100 *DS306-55Y5S102M100 *DS306-55Y5S222M100 *DS306-55FZ103Z50	47pF±20% 100pF±20% 270pF±20% 1000pF±20% 2200pF±20% 10000pF+80%, -20%	50VDC	±22% ±22% ±22% ±22% ±22% +30%, -85%	None	Fig. 1
*DST306-55Y5S470M50 *DST306-55Y5S101M50 *DST306-55Y5S271M50 *DST306-55Y5S102M50 *DST306-55Y5S222M50 *DST306-55FZ103Z50	47pF±20% 100pF±20% 270pF±20% 1000pF±20% 2200pF±20% 10000pF+80%, -20%	50VDC	±22% ±22% ±22% ±22% ±22% +30%, -85%	Outside	Fig. 2
*DSS306-55Y5S470M100 *DSS306-55Y5S101M100 *DSS306-55Y5S271M100 *DSS306-55Y5S471M100 *DSS306-55Y5S102M100 *DSS306-55Y5U222Z100 *DSS306-55FZ103N100	47pF±20% 100pF±20% 270pF±20% 470pF±20% 1000pF±20% 2200pF+80%, -20% 10000pF±30%	100VDC	±22% ±22% ±22% ±10% ±22% +22%, -56% +30%, -85%	Inside	Fig. 3

*Available as standard through authorized Murata Electronics Distributors.

NFV610 SERIES

SPECIFICATIONS



Dimensions: in. (mm)

Part No.	Cut-Off Frequency	Minimum Attenuation (dB)					
		10MHz	20MHz	50MHz	100MHz	200MHz	500MHz
*NFV610-655 T2A 106	10MHz	*	3	10	20	35	25
*NFV610-655 T2A 206	20MHz		*	3	10	15	25
*NFV610-655 T2A 506	50MHz			*	3	10	25
*NFV610-655 T2A 107	100MHz				*	3	15

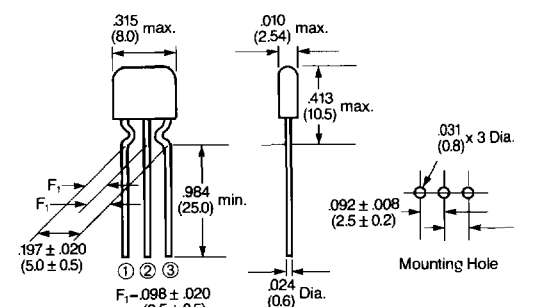
*6dB max

Rated Voltage: 100 VDC, Rated Current: 200mA
Temperature Range: -25°C to +85°C

EMI-GUARD VARISTOR-CAPACITOR DSS706 SERIES

RATINGS

DIMENSIONS: in. (mm)

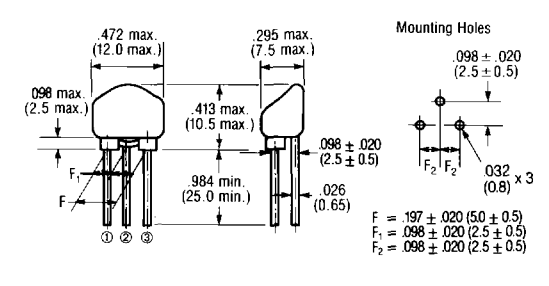


Mounting Hole

Part No.	DSS706-351D221M25-50
Rated Voltage	25VDC
Varistor voltage	50V±20%
Rated current	6ADC
Operating Temp. Range	-40 to +105°C
Capacitance	220pF±20%
Capacitance Temp. Char.	+20%, -30%

DSS710 SERIES

DIMENSIONS: in. (mm)

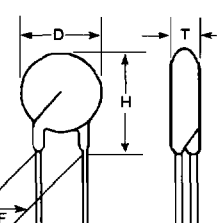


Mounting Holes

Part No.	DSS710 D 223S 12-22
Capacitance	22000pF ⁺⁵⁰ / ₋₂₀ %
DF	5.0% max.
Insulation Resistance	1 MΩ min.
I _c (max.)	7 A max.
Rated Voltage	12 VDC
Varistor Voltage	22 VDC ± 20% (V1mA)
Voltage Nonlinear Factor	1.25 max. (V10mA/V1mA)
Temperature Characteristics	+20 % (-25 to +85°C) -30 %
Operating Temperature Range	-40 to +100°C
Inductance	0.8μH × 2 (1 KHz)

VARISTOR-SURGE ABSORBER - DVZ SERIES

DIMENSIONS: in. (mm)



Part No.	Maximum Allowable Voltage		Maximum Clamping Voltage		Varistor Voltage	With-standing Surge Current(A)
	ACrms(V)	DC(V)	V _c (V)	I _p (A)		
*DVZ07-551A221	140	180	360	10	220±10%	600
*DVZ10-551A221			360	25		1250
*DVZ07-551A431	275	350	710	10	430±10%	600
*DVZ10-551A431			710	25		1250

Do not exceed Max. allowable voltage.
Flux: Use rosin-based flux, but not strong acidic flux (with chlorine content exceeding 0.20wt%).
Operating Temperature Range: -40 to +85°C

Size	D	H	T	F
7 type	.354 max. (9.0)	.472 max. (12.0)	.209 max. to .264 max. (5.3) to (6.7)	177 ± .039 (5.0 ± 1)
10 type	.551 max. (14.0)	.669 max. (17.0)	.224 max. to .284 max. (5.7) to (7.2)	295 ± .039 (7.5 ± 1)

* Available as standard through Murata Electronics Distributors.