



TRIMMER POTENTIOMETER



Single-turn Cermet Trimmer Potentiometer **3321** Series

Sealed construction with 6mm round

FEATURES

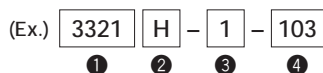
1. 6 standard terminal styles.
2. Compatible with ultrasonic cleaning
(See pages 43 to 44 for details).
3. single-turn cermet ; 6.6mm round.
4. Flammability : UV94V-0.

APPLICATIONS

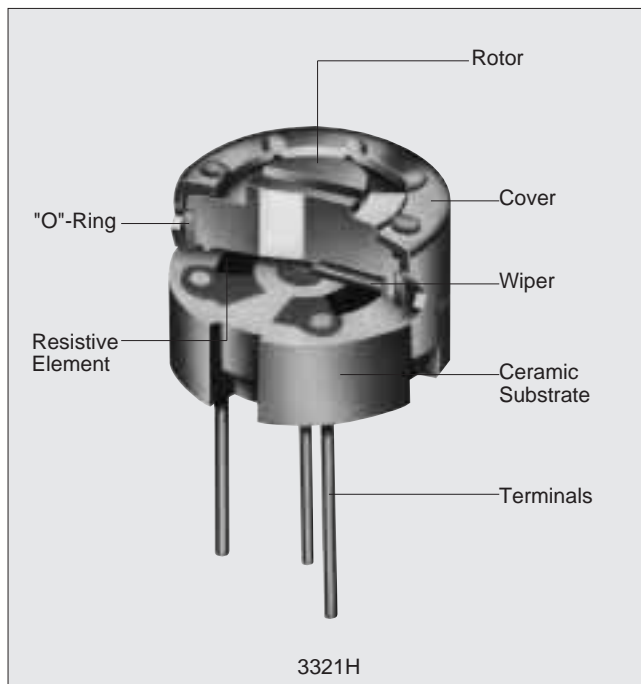
TVs, HDTVs, Professional cameras, Facsimile machines, Printers, CPUs, Switching power supplies

PART NUMBERING

(Please specify the part number when ordering.)



- ① Model number
- ② Terminal style
- ③ Options 1 : Standard
- ④ Resistance code



RATINGS

Standard Total Resistance Range	10Ω to 5MΩ
Total Resistance Tolerance	±20% of standard total resistance value
Power Rating	70°C – 0.5W 125°C – 0W
Max. Working Voltage	300Vdc
Max. Wiper Current	100mA max.
Operating Temperature Range	-55°C to +125°C
Effective Rotational Angle	230°±5°
Residual Resistance	2Ω max.
Contact Resistance Variation	3% or 3Ω max. Whichever is greater
Dielectric Strength	600Vac
Insulation Resistance	1000MΩ min. (500Vdc)
Torque	1.96 to 19.6mNm (20 to 200gf·cm)
Stop Strength	49mNm (500gf·cm) min.

OTHERS

- See pages 43 to 44 for Notice
- See pages 46 to 47 for test methods
- ±10% of total resistance tolerance is available
(Consult Murata representative for details)

ENVIRONMENTAL CHARACTERISTICS

Temperature Coefficient of Resistance	±100ppm/°C
Temperature Cycle	ΔTR ±2% ΔV.S. S. ±1%
Humidity Exposure	ΔTR ±2% IR 100MΩ min.
Vibration (20G)	ΔTR ±1% ΔV.S. S. ±1%
Shock (100G)	ΔTR ±1% ΔV.S. S. ±1%
Load Life	ΔTR ±2% ΔV.S. S. ±2%
Low Temperature Exposure	ΔTR ±2% ΔV.S. S. ±1%
High Temperature Exposure	ΔTR ±2% ΔV.S. S. ±1%
Rotational Life (200 cycles)	No intermittence on resistance change

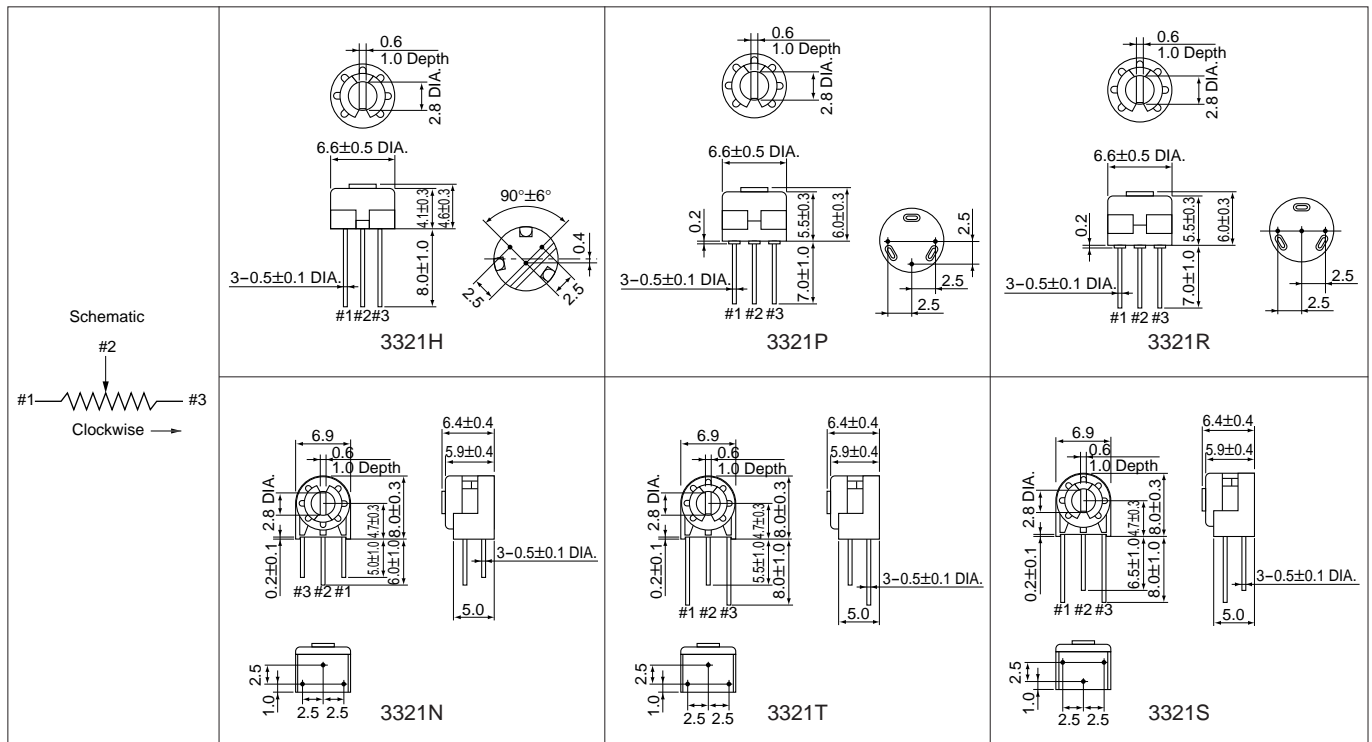
ΔTR : Total Resistance Change
 ΔV.S.S. : Voltage Setting Stability
 IR : Insulation Resistance

MINIMUM QUANTITY (order in sets only)
 100 pcs./bag

■PART NUMBER TABLE

Standard Total Resistance Values	Model Number					
	Top Adjustment (H)	Top Adjustment (P)	Top Adjustment (R)	Side Adjustment (N)	Side Adjustment (T)	Side Adjustment (S)
10Ω	3321H-1-100	3321P-1-100	3321R-1-100	3321N-1-100	3321T-1-100	3321S-1-100
20Ω	3321H-1-200	3321P-1-200	3321R-1-200	3321N-1-200	3321T-1-200	3321S-1-200
25Ω	3321H-1-250	3321P-1-250	3321R-1-250	3321N-1-250	3321T-1-250	3321S-1-250
50Ω	3321H-1-500	3321P-1-500	3321R-1-500	3321N-1-500	3321T-1-500	3321S-1-500
100Ω	3321H-1-101	3321P-1-101	3321R-1-101	3321N-1-101	3321T-1-101	3321S-1-101
200Ω	3321H-1-201	3321P-1-201	3321R-1-201	3321N-1-201	3321T-1-201	3321S-1-201
250Ω	3321H-1-251	3321P-1-251	3321R-1-251	3321N-1-251	3321T-1-251	3321S-1-251
500Ω	3321H-1-501	3321P-1-501	3321R-1-501	3321N-1-501	3321T-1-501	3321S-1-501
1kΩ	3321H-1-102	3321P-1-102	3321R-1-102	3321N-1-102	3321T-1-102	3321S-1-102
2kΩ	3321H-1-202	3321P-1-202	3321R-1-202	3321N-1-202	3321T-1-202	3321S-1-202
2.5kΩ	3321H-1-252	3321P-1-252	3321R-1-252	3321N-1-252	3321T-1-252	3321S-1-252
5kΩ	3321H-1-502	3321P-1-502	3321R-1-502	3321N-1-502	3321T-1-502	3321S-1-502
10kΩ	3321H-1-103	3321P-1-103	3321R-1-103	3321N-1-103	3321T-1-103	3321S-1-103
20kΩ	3321H-1-203	3321P-1-203	3321R-1-203	3321N-1-203	3321T-1-203	3321S-1-203
25kΩ	3321H-1-253	3321P-1-253	3321R-1-253	3321N-1-253	3321T-1-253	3321S-1-253
50kΩ	3321H-1-503	3321P-1-503	3321R-1-503	3321N-1-503	3321T-1-503	3321S-1-503
100kΩ	3321H-1-104	3321P-1-104	3321R-1-104	3321N-1-104	3321T-1-104	3321S-1-104
200kΩ	3321H-1-204	3321P-1-204	3321R-1-204	3321N-1-204	3321T-1-204	3321S-1-204
250kΩ	3321H-1-254	3321P-1-254	3321R-1-254	3321N-1-254	3321T-1-254	3321S-1-254
500kΩ	3321H-1-504	3321P-1-504	3321R-1-504	3321N-1-504	3321T-1-504	3321S-1-504
1MΩ	3321H-1-105	3321P-1-105	3321R-1-105	3321N-1-105	3321T-1-105	3321S-1-105
2MΩ	3321H-1-205	3321P-1-205	3321R-1-205	3321N-1-205	3321T-1-205	3321S-1-205
5MΩ	3321H-1-505	3321P-1-505	3321R-1-505	3321N-1-505	3321T-1-505	3321S-1-505

■OUTLINE DIMENSIONS



[in mm
Standard tolerance : ±0.3]