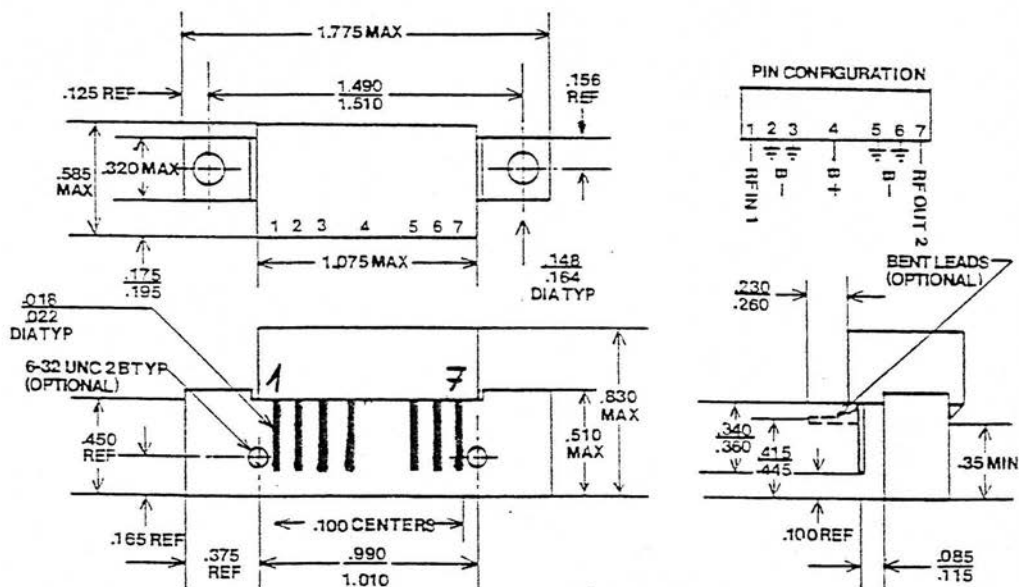


# CA 2256R CA 4200R CA 4250R

## CA PACKAGE OUTLINE



### Pin configuration:

- 1: RF in
- 2, 3, 5 and 6: ground
- 4: -24V (200mA)
- 7: RF out

(Note: positive to ground)