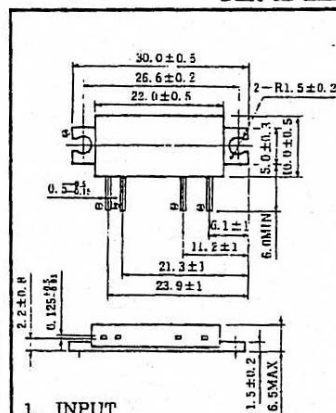


TOSHIBA RF POWER AMPLIFIER MODULE

VHF POWER AMPLIFIER MODULE

Unit in mm



MAXIMUM RATINGS (Tc = 25°C)

CHARACTERISTIC	SYMBOL	RATING	UNIT
DC Supply Voltage	VCC	11	V
DC Supply Voltage	VBB	6	V
Input Power	Pi	400	mW
Operating Case Temperature Range	Tc (opr)	-30~100	°C
Storage Temperature Range	Tstg	-40~110	°C

1. INPUT
2. VBB
3. VCC
4. OUTPUT
5. GROUND (FLANGE)

JEDEC	—
EIAJ	—
TOSHIBA	5-22K

ELECTRICAL CHARACTERISTICS (Tc = 25°C)

Weight : 3.5g

CHARACTERISTIC	SYMBOL	TEST CONDITION	MIN.	TYP.	MAX.	UNIT
Frequency Range	f _{range}	—	135	—	175	MHz
Output Power	P _o	Pi = 200mW VCC = 7.5V, VBB = 5V Z _G = Z _L = 50Ω	2.7	—	—	W
Power Gain	G _p		11.3	—	—	dB
Total Efficiency	η _T		35	—	—	%
Input VSWR	VSWR _{in}		—	1.5	2.5	—
Harmonics	HRM		—	—	-20	dB
Load Mismatch	—	VCC = 9V VBB = 5V Pi = 200mW VSWR load 20:1 all phase	No Degradation			—
Stability	—	VCC = 6~9V VBB = 5V Pi = 200mW VSWR load 6:1 all phase	All spurious output than 60dB below desired signal			—

CAUTION

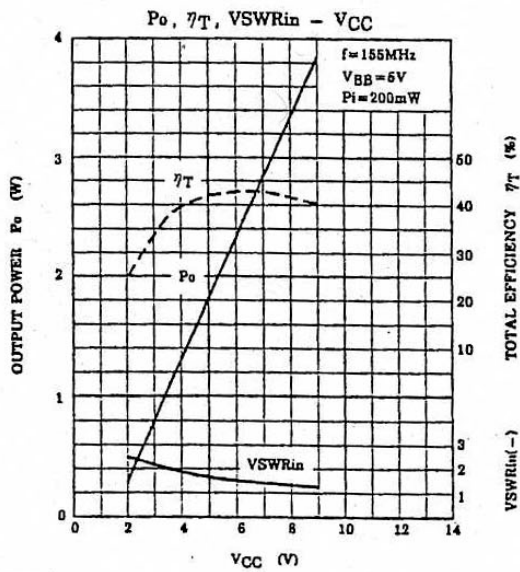
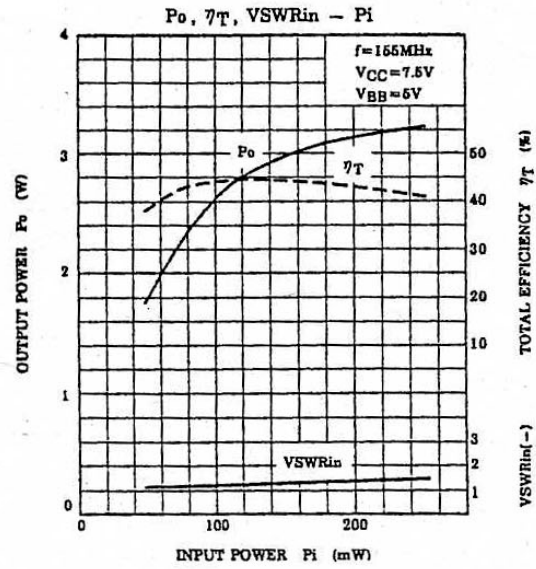
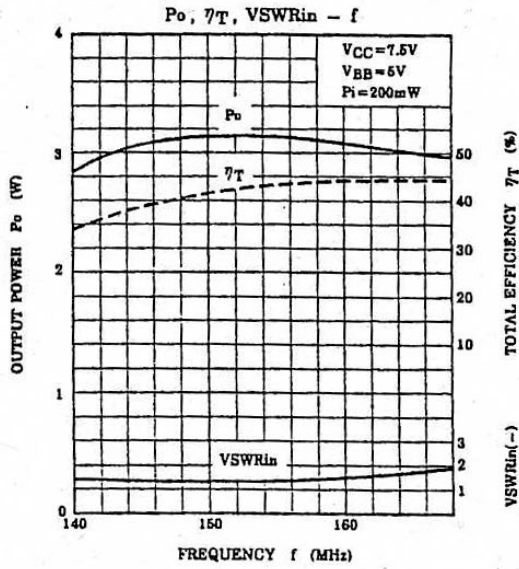
- This product has intersetting cap. Please pay attention for exceeding stress and foreign matter in your application. And not to take away the cap.

961001EAA2

- TOSHIBA is continually working to improve the quality and the reliability of its products. Nevertheless, semiconductor devices in general can malfunction or fail due to their inherent electrical sensitivity and vulnerability to physical stress. It is the responsibility of the buyer, when utilizing TOSHIBA products, to observe standards of safety, and to avoid situations in which a malfunction or failure of a TOSHIBA product could cause loss of human life, bodily injury or damage to property. In developing your designs, please ensure that TOSHIBA products are used within specified operating ranges as set forth in the most recent products specifications. Also, please keep in mind the precautions and conditions set forth in the TOSHIBA Semiconductor Reliability Handbook.
- The information contained herein is presented only as a guide for the applications of our products. No responsibility is assumed by TOSHIBA CORPORATION for any infringements of intellectual property or other rights of the third parties which may result from its use. No license is granted by implication or otherwise under any intellectual property or other rights of TOSHIBA CORPORATION or others.
- The information contained herein is subject to change without notice.

1998-09-17 1/3

TYPICAL PERFORMANCE CURVE

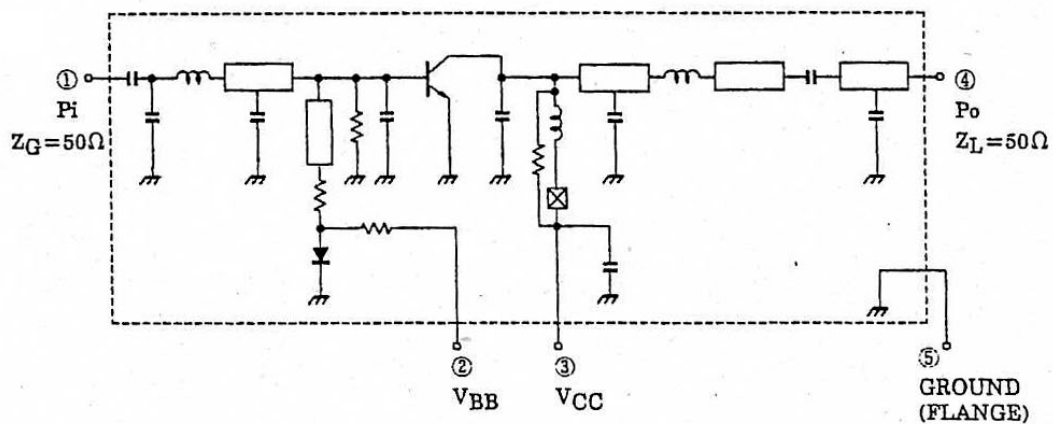


CAUTION

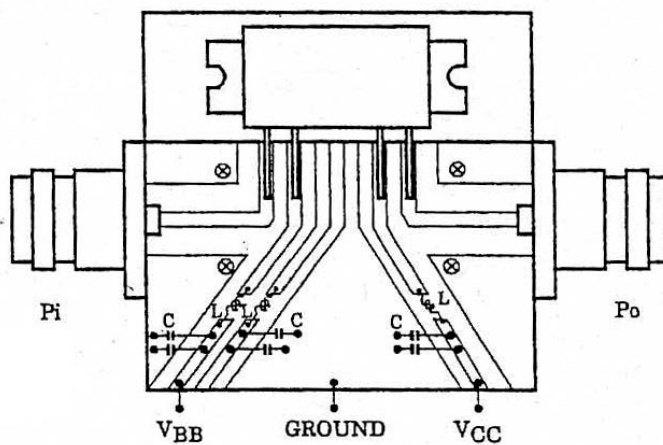
These are only typical curves and devices are not necessarily guaranteed at these curves.

1998-09-17 3/3

SCHEMATIC



TEST FIXTURE



C : 22000pF, 10 μ F PARALLEL
 L : ϕ 0.5 ENAMEL WIRE 3ID, 5T

1998-09-17 2/3