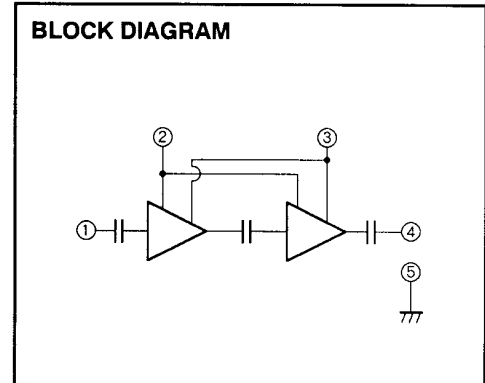
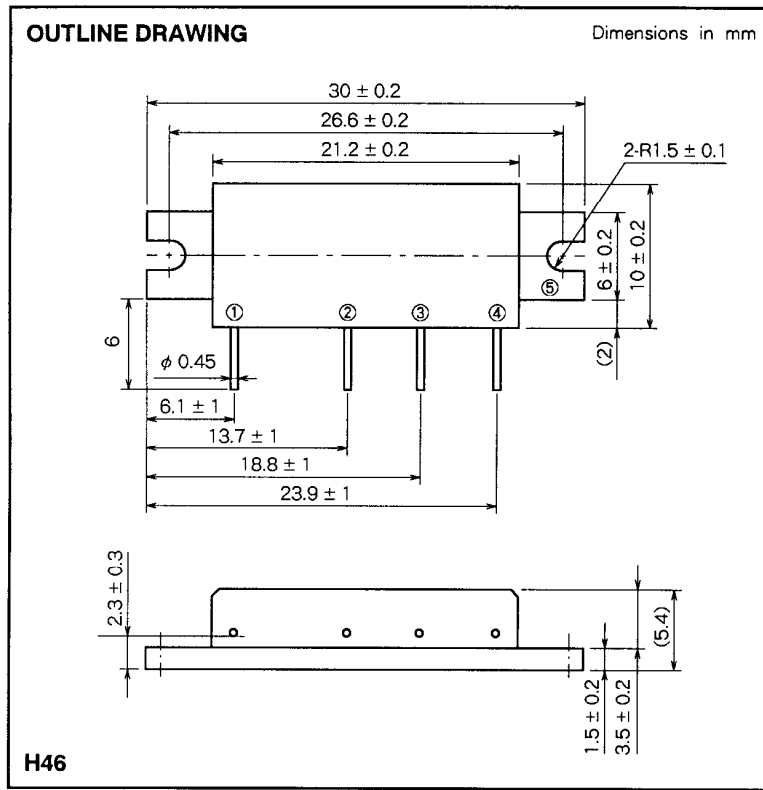


M67799HA

450-470MHz, 9.6V, 7.5W, FM PORTABLE RADIO



PIN :

- ① Pin : RF INPUT
- ② VGG : GATE BIAS SUPPLY
- ③ VDD : DRAIN BIAS SUPPLY
- ④ Po : RF OUTPUT
- ⑤ GND : FIN

ABSOLUTE MAXIMUM RATINGS ($T_c = 25^\circ\text{C}$ unless otherwise noted)

Symbol	Parameter	Conditions	Ratings	Unit
VDD	Supply voltage	$V_{GG} \leq 3.5\text{V}$, $Z_G = Z_L = 50\Omega$	16	V
VGG	Gate bias voltage		4	V
P _{in}	Input power	$f = 450$ to 470MHz , $Z_G = Z_L = 50\Omega$	30	mW
P _o	Output power	$f = 450$ to 470MHz , $Z_G = Z_L = 50\Omega$	10	W
T _{C(OP)}	Operation case temperature	$f = 450$ to 470MHz , $Z_G = Z_L = 50\Omega$	- 30 to 100	°C
T _{stg}	Storage temperature		- 40 to 110	°C

Note. Above parameters are guaranteed independently.

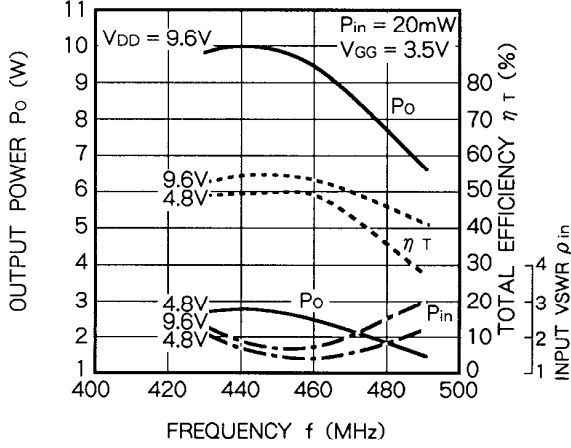
ELECTRICAL CHARACTERISTICS ($T_c = 25^\circ\text{C}$, $Z_G = Z_L = 50\Omega$, unless otherwise noted)

Symbol	Parameter	Test conditions	Limits		Unit
			Min	Max	
f	Frequency range		450	470	MHz
P _o	Output power		7.5		W
η_T	Total efficiency	$V_{DD} = 9.6\text{V}$	43		%
2f _o	2nd. harmonic	$V_{GG} = 3.5\text{V}$		- 25	dBc
3f _o	3rd. harmonic	$P_{in} = 20\text{mW}$		- 30	dBc
ρ_{in}	Input VSWR			4	-
-	Stability	$Z_G = 50\Omega$, $V_{DD} = 4.8$ to 13.2V , Load VSWR < 4 : 1	No parasitic oscillation		-
-	Load VSWR tolerance	$V_{DD} = 13.2\text{V}$, $P_{in} = 20\text{mW}$, $P_o = 7.5\text{W}$ (V_{GG} Adjust), $Z_L = 20 : 1$	No degradation or destroy		-

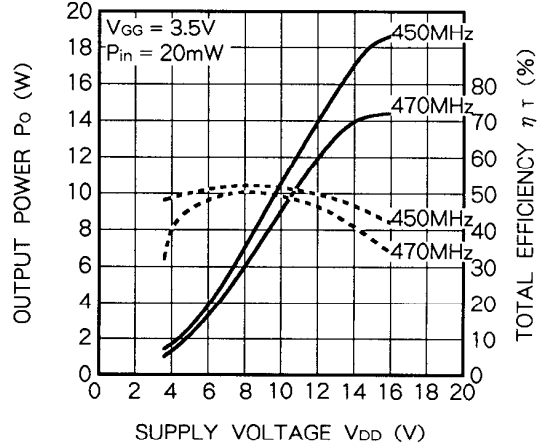
Note : Above parameters, ratings, limits and conditions are subject to change.

TYPICAL PERFORMANCE DATA

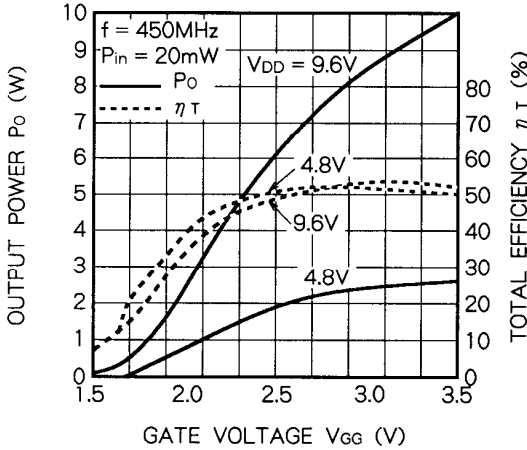
OUTPUT POWER, TOTAL EFFICIENCY, INPUT VSWR VS. FREQUENCY CHARACTERISTICS



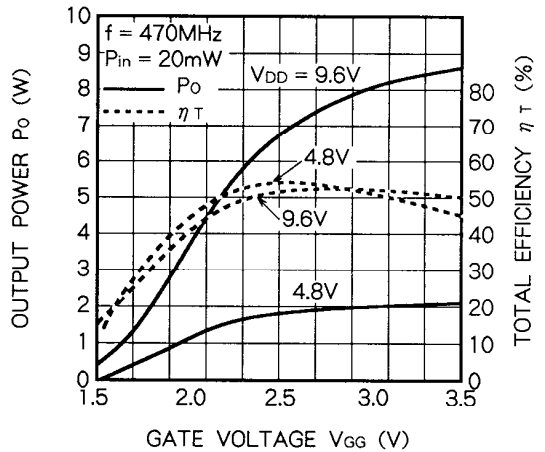
OUTPUT POWER, TOTAL EFFICIENCY VS. SUPPLY VOLTAGE CHARACTERISTICS



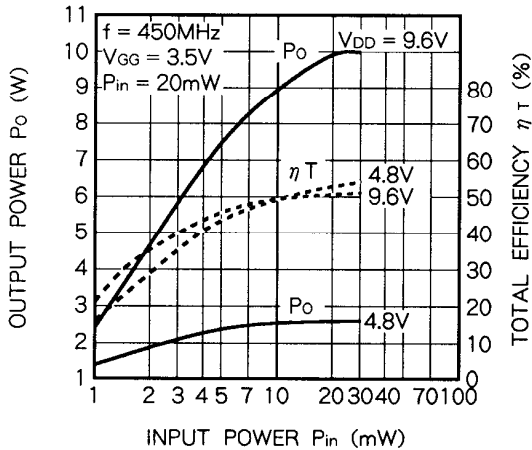
OUTPUT POWER, TOTAL EFFICIENCY VS. GATE VOLTAGE CHARACTERISTICS



OUTPUT POWER, TOTAL EFFICIENCY VS. GATE VOLTAGE CHARACTERISTICS



OUTPUT POWER, TOTAL EFFICIENCY VS. INPUT POWER CHARACTERISTICS



OUTPUT POWER, TOTAL EFFICIENCY VS. INPUT POWER CHARACTERISTICS

