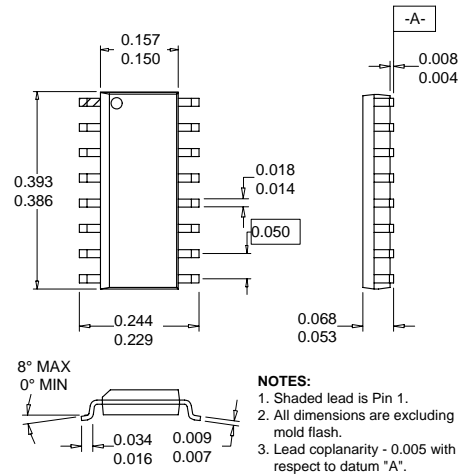


Typical Applications

- Dual-Band CDMA Base Stations
- TDMA/TDMA-EDGE Base Stations
- GSM-EDGE/EGSM Base Stations
- W-CDMA Base Stations
- WLAN and WLL Systems
- TETRA Systems

Product Description

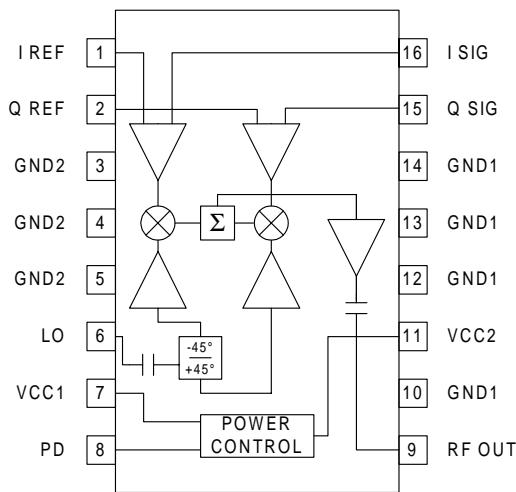
The RF2480 is a monolithic integrated quadrature modulator IC capable of universal direct modulation for high-frequency AM, PM, or compound carriers. This low-cost IC features excellent linearity, noise floor, and over-temperature carrier suppression performance. The device implements differential amplifiers for the modulation inputs, 90° carrier phase shift network, carrier limiting amplifiers, two matched double-balanced mixers, summing amplifier, and an output RF amplifier which will drive 50Ω from 800MHz to 2500MHz. Component matching is used to obtain excellent amplitude balance and phase accuracy.



5
MODULATORS AND
UPCONVERTERS

Optimum Technology Matching® Applied

- | | | |
|-------------------------------------|--|--------------------------------------|
| <input type="checkbox"/> Si BJT | <input checked="" type="checkbox"/> GaAs HBT | <input type="checkbox"/> GaAs MESFET |
| <input type="checkbox"/> Si Bi-CMOS | <input type="checkbox"/> SiGe HBT | <input type="checkbox"/> Si CMOS |



Functional Block Diagram

Package Style: SOIC-16

Features

- Typical Carrier Suppression > 35dBc over temperature with highly linear operation
- Single 5V Power Supply
- Integrated RF quadrature network
- Digitally controlled Power Down mode
- 800MHz to 2500MHz operation

Ordering Information

- | | |
|-------------|----------------------------------|
| RF2480 | Direct Quadrature Modulator |
| RF2480 PCBA | Fully Assembled Evaluation Board |

RF Micro Devices, Inc.
7628 Thorndike Road
Greensboro, NC 27409, USA

Tel (336) 664 1233
Fax (336) 664 0454
<http://www.rfmd.com>

RF2480

Absolute Maximum Ratings

Parameter	Rating	Unit
Supply Voltage	-0.5 to +7.5	V _{DC}
Input LO and RF Levels	+10	dBm
Operating Ambient Temperature	-40 to +85	°C
Storage Temperature	-40 to +150	°C



Caution! ESD sensitive device.

RF Micro Devices believes the furnished information is correct and accurate at the time of this printing. However, RF Micro Devices reserves the right to make changes to its products without notice. RF Micro Devices does not assume responsibility for the use of the described product(s).

Parameter	Specification			Unit	Condition
	Min.	Typ.	Max.		
Carrier Input					T=25°C, V _{CC} =5V
Frequency Range	800		2500	MHz	
Power Level	-6		+6	dBm	
Input VSWR		4.5:1 2:1 2:1			At 900MHz unmatched At 1800MHz unmatched At 2500MHz unmatched
Modulation Input					
Frequency Range	DC		250	MHz	
Reference Voltage (V _{REF})		3.0		V	
Maximum Modulation (I&Q)			V _{REF} ±1.0	V	
Gain Asymmetry		0.2		dB	
Quadrature Phase Error		3		°	
Input Resistance		30		kΩ	
Input Bias Current			40	μA	
RF Output (~800MHz)					LO=800MHz, -5 dBm; SSB
Maximum Output Power	-3	0	+2	dBm	TETRA I&Q Amplitude=2V _{PP} Over operating temperature.
High-Linearity Output Power	-6	-5		dBm	TETRA I&Q Amplitude=1.1V _{PP} with an ACPR of -47dBc. Over operating tempera- ture.
Adjacent Channel Power Rejection	-47	-52		dBc	TETRA modulation applied with P _{OUT} =-5dBm. Over operating temperature.
Output P1dB	+2	+3		dBm	Over operating temperature.
IM3 Suppression	-39	-40		dBc	2kHz offset (9kHz, 11 kHz) at -6 dBm/tone. Over operating temperature.
IM5 Suppression	-49	-59		dBc	2kHz offset (9kHz, 11 kHz) at -6 dBm/tone. Over operating temperature.
IM7 Suppression	-49	-71		dBc	2kHz offset (9kHz, 11 kHz) at -6 dBm/tone. Over operating temperature.
Carrier Suppression	-25	-30		dBc	Unadjusted performance.
Sideband Suppression	-25	-30		dBc	Unadjusted performance.
Broadband Noise Floor		-150	-145	dBm/Hz	26MHz offset with TETRA signal applied P _{OUT} =-5dBm.

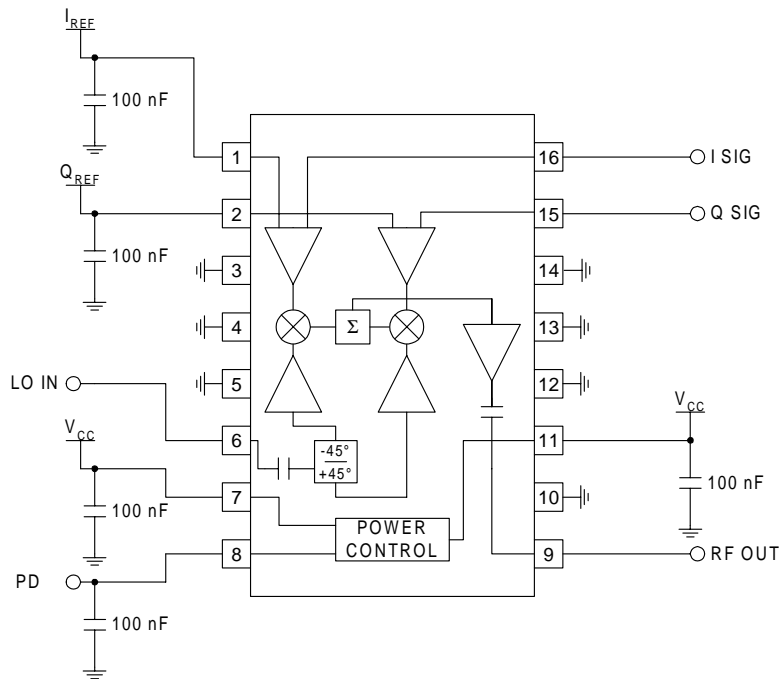
Parameter	Specification			Unit	Condition
	Min.	Typ.	Max.		
RF Output (~900MHz)					LO=880MHz, -5dBm; SSB
Maximum Output Power	0	+4		dBm	I&Q Amplitude=2V _{PP}
High-Linearity Output Power		-11		dBm	I&Q Amplitude=0.325V _{PP}
Carrier Suppression	50			dB	T=25°C; P _{OUT} =-11dBm (meets CDMA base station requirements); optimized I,Q DC offsets
	35			dB	Over Temperature (Temperature cycled from -40°C to +85°C after optimization at T=25°C; P _{OUT} =-11dBm)
Sideband Suppression	50			dB	T=25°C; P _{OUT} =-11dBm; optimized I,Q DC offsets
	35			dB	Over Temperature (Temperature cycled from -40°C to +85°C after optimization at T=25°C; P _{OUT} =-11dBm)
Output Impedance		13-j:25		Ω	
Broadband Noise Floor		-153.0		dBm/Hz	At 20MHz offset, V _{CC} =5V; Tied to V _{REF} : ISIG, QSIG, IREF, and QREF.
RF Output (~2000MHz)					LO=2000MHz, -5dBm; SSB
Maximum Output Power	-7	-3		dBm	I&Q Amplitude=2V _{PP}
High-Linearity Output Power		-17		dBm	I&Q Amplitude=0.325V _{PP}
Carrier Suppression	50			dB	T=25°C; P _{OUT} =-17dBm; optimized I,Q DC offsets
	35			dB	Temperature cycled from -40°C to +85°C after optimization at T=25°C; P _{OUT} =-17dBm
Sideband Suppression	50			dB	T=25°C; P _{OUT} =-17dBm; optimized I,Q DC offsets
	40			dB	Temperature cycled from -40°C to +85°C after optimization at T=25°C; P _{OUT} =-17dBm
Output Impedance		58-j11		Ω	
Broadband Noise Floor		-158.0		dBm/Hz	At 20MHz offset, V _{CC} =5V; Tied to V _{REF} : ISIG, QSIG, IREF, and QREF.
Power Down					
Turn On/Off Time			100	ns	
PD Input Resistance	50			kΩ	
Power Control "ON"			2.8	V	Threshold voltage
Power Control "OFF"	1.0	1.2		V	Threshold voltage
Power Supply					
Voltage	4.5	5	6.0	V	Specifications
				V	Operating Limits
Current		50		mA	Operating
			25	μA	Power Down

RF2480

Pin	Function	Description	Interface Schematic
1	I REF	Reference voltage for the I mixer. This voltage should be the same as the DC voltage supplied to the I SIG pin. A voltage of 3.0V is recommended. The SIG and REF inputs are inputs of a differential amplifier. Therefore the REF and SIG inputs are interchangeable. If swapping the I SIG and I REF pins, the Q SIG and Q REF also need to be swapped to maintain the correct phase. It is also possible to drive the SIG and REF inputs in a balanced mode. This will increase the gain. For optimum carrier suppression, the DC voltages on I REF, Q REF, I SIG and Q SIG should be adjusted slightly to compensate for inherent undesired internal DC offsets; for optimum sideband suppression, phase and signal amplitude on IREF, Q REF, I SIG and Q SIG should be adjusted slightly to compensate for inherent undesired internal offsets. See RFMD AN0001 for more detail.	
2	Q REF	Reference voltage for the Q mixer. This voltage should be the same as the DC voltage supplied to the Q SIG pin. A voltage of 3.0V is recommended. See pin 1 for more details.	
3	GND2	Ground connection of the LO phase shift network. This pin should be connected directly to the ground plane.	
4	GND2	Same as pin 3.	
5	GND2	Same as pin 3.	
6	LO	The input of the phase shifting network. This pin has an internal DC blocking capacitor. This port is voltage driven so matching at different frequencies is not required.	
7	VCC1	Power supply for all circuits except the RF output stage. An external capacitor is needed if no other low frequency bypass capacitor is nearby.	
8	PD	Power Down control. When this pin is "low", all circuits are shut off. A "low" is typically 1.2V or less at room temperature. When this pin is "high" (V_{CC}), all circuits are operating normally. If PD is below V_{CC} , output power and performance will be degraded. Operating in this region is not recommended, although it might be useful in some applications where power control is required.	
9	RF OUT	RF Output. This pin has an internal DC blocking capacitor. At some frequencies, external matching may be needed to optimize output power.	
10	GND3	Ground connection for the RF output stage. This pin should be connected directly to the ground plane.	
11	VCC2	Power supply for the RF output amplifier. An external capacitor is needed if no other low frequency bypass capacitor is near by.	
12	GND1	Ground connection for the LO and baseband amplifiers, and for the mixers. This pin should be connected directly to the ground plane.	
13	GND1	Same as pin 12.	
14	GND1	Same as pin 12.	

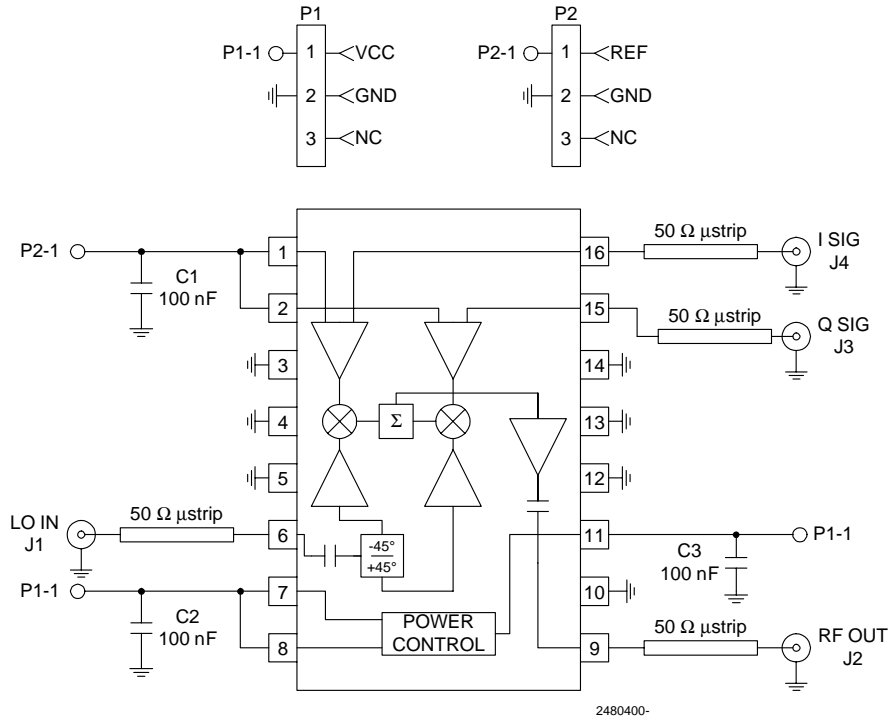
Pin	Function	Description	Interface Schematic
15	Q SIG	Baseband input to the Q mixer. This pin is DC-coupled. Maximum output power is obtained when the input signal has a peak to peak amplitude of 2V; for highly linear operation, the input signal (and output power) must be reduced appropriately. The recommended DC level for this pin is 3.0V. The peak minimum voltage on this pin ($V_{REF} - \text{peak modulation amplitude}$) should never drop below 2.0V. The peak maximum voltage on this pin ($V_{REF} + \text{peak modulation amplitude}$) should never exceed 4.0V. See pin 1 for more details.	
16	I SIG	Baseband input to the I mixer. This pin is DC-coupled. Maximum output power is obtained when the input signal has a peak to peak amplitude of 2V; for highly linear operation, the input signal (and output power) must be reduced appropriately. The recommended DC level for this pin is 3.0V. The peak minimum voltage on this pin ($V_{REF} - \text{peak modulation amplitude}$) should never drop below 2.0V. The peak maximum voltage on this pin ($V_{REF} + \text{peak modulation amplitude}$) should never exceed 4.0V. See pin 1 for more details.	

Application Schematic DC-Coupled

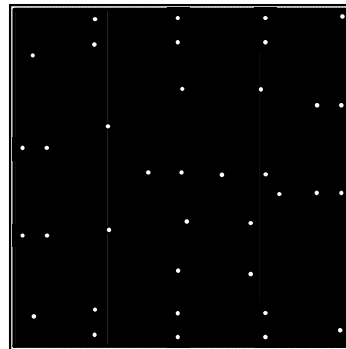
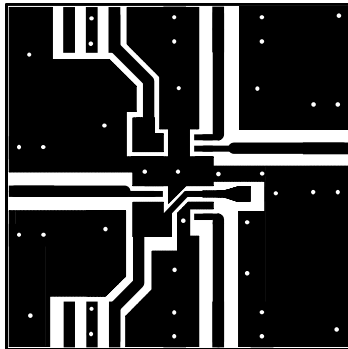
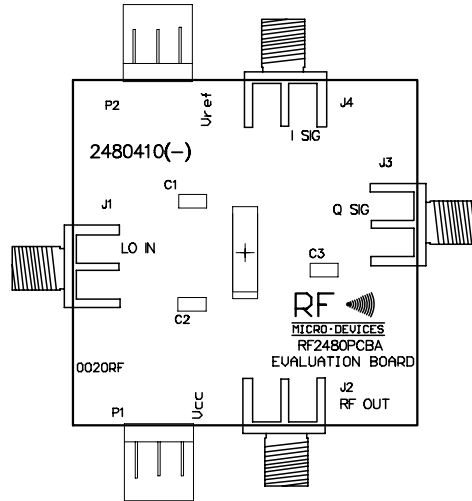


Evaluation Board Schematic

(Download [Bill of Materials](http://www.rfmd.com) from www.rfmd.com.)



Evaluation Board Layout
Board Size 1.510" x 1.510"
Board Thickness 0.031", FR-4



RF2480

5

**MODULATORS AND
UPCONVERTERS**