

INPUT SPECIFICATIONS

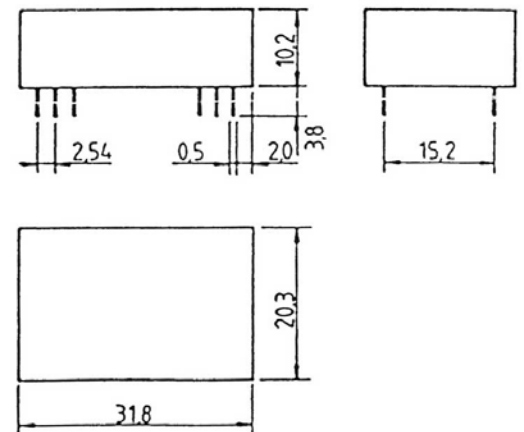
Input voltage	5V \pm 0.3V
Input filter	PI network
Fault mode current	150% of full load current
Reverse polarity input current	5A max
Input current (no load)	60mA

OUTPUT SPECIFICATIONS

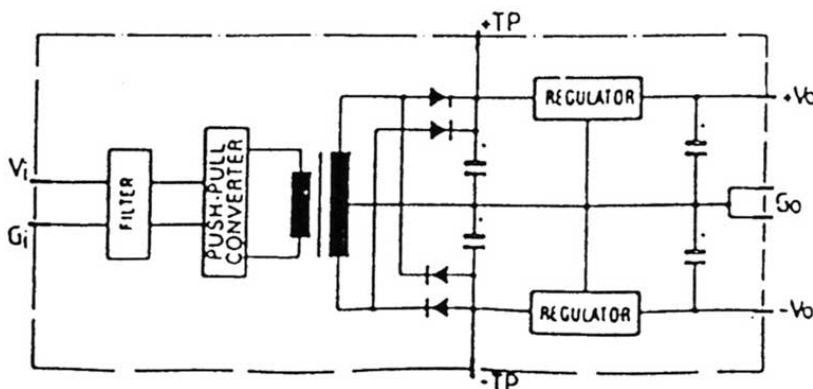
Output voltage	+12 / 0 / -12V (dual output)
Voltage accuracy	\pm 3%
Voltage balance	\pm 2%
Line regulation	\pm 0.2%
Load regulation	\pm 0.4% 50mA load \pm 1% 60mA load
Ripple & Noise (in 20 KHz BW)	< 50mV
Temperature coefficient	\pm 0.01% / $^{\circ}$ C
Overshoot (10 to 90% of load)	\pm 0.1%
Short circuit protection	continuous
Short circuit restart	automatic

VARIOUS

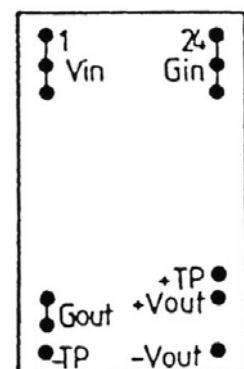
Switching frequency	100 KHz
Efficiency	55%
Isolation	2KVac, 1000M Ω
Package and dimensions	Metal, 31.8 x 20.3 x 10.2mm
Operating temperature, humidity	-30/+70 $^{\circ}$ C, < 95%



BLOCK DIAGRAM



PINOUT



(top view)