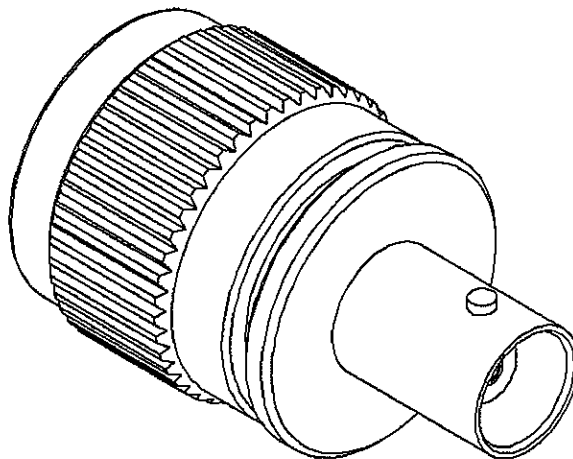
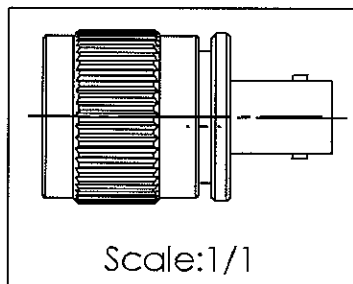
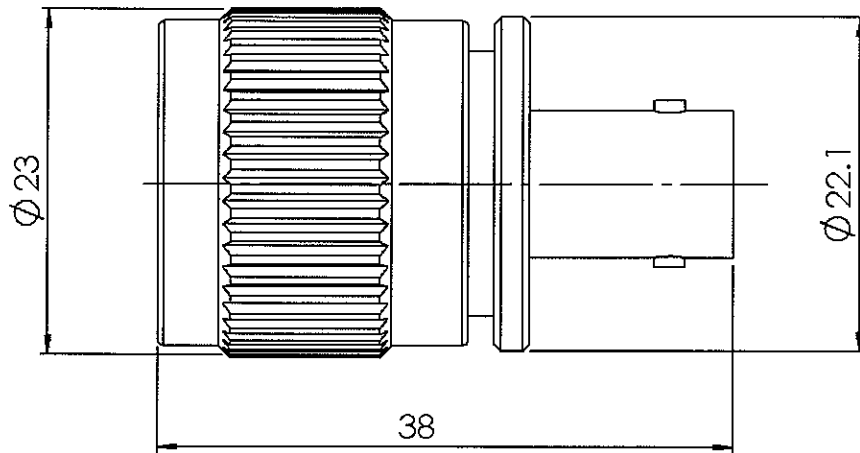


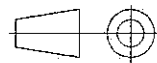
BNC FEMALE - HN MALE ADAPTOR

R191.449.000

Série : ADAPT



All dimensions are in mm.



COMPONENTS	MATERIALS	PLATINGS (μm)
BODY	BRASS	NICKEL 2
CENTER CONTACT	BERYLLIUM COPPER	SILVER 5
OUTER CONTACT	BRASS	NICKEL 2
INSULATOR	PTFE	
GASKET	SILICONE RUBBER	
OTHERS PARTS	-	-
-	-	-
-	-	-

Issue : 0506 F

In the effort to improve our products, we reserve the rights to make changes judged to be necessary.



BNC FEMALE - UHF MALE ADAPTOR

R191.449.000

Série : ADAPT

PACKAGING

Standard	Unit	Other
1	-	Contact us

SPECIFICATION

ELECTRICAL CHARACTERISTICS

ENVIRONMENTAL

Impedance	50	Ω
Frequency	0-4	GHz
VSWR	+ 0,0000	x F(GHz) Maxi
Insertion loss		√F(GHz) dB Maxi
RF leakage	- (- F(GHz)) dB Maxi
Voltage rating		Veff Maxi
Dielectric withstanding voltage	1500	Veff mini
Insulation resistance	5000	MΩ mini

Operating	-55 /+125	° C
Hermetic seal		Atm.cm3/s
Panel leakage		

MECHANICAL CHARACTERISTICS

OTHERS CHARACTERISTICS

Center contact retention		
Axial force – Mating end		N mini
Axial force – Opposite end		N mini
Torque		N.cm mini
Recommended torque		
Mating	0	N.cm
	0	N.cm
	0	N.cm
Panel nut		N.cm
Mating life	500	Cycles mini
Weight	44,8700	g

Issue : 0506 F

In the effort to improve our products, we reserve the rights to make changes judged to be necessary.



RADIALL®