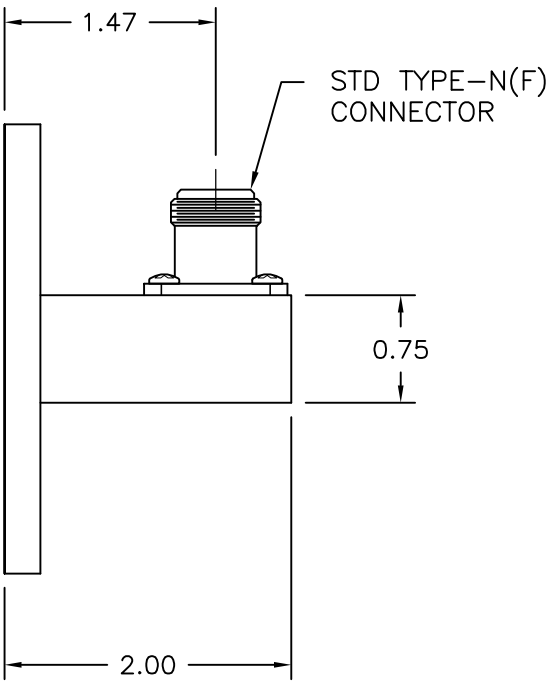
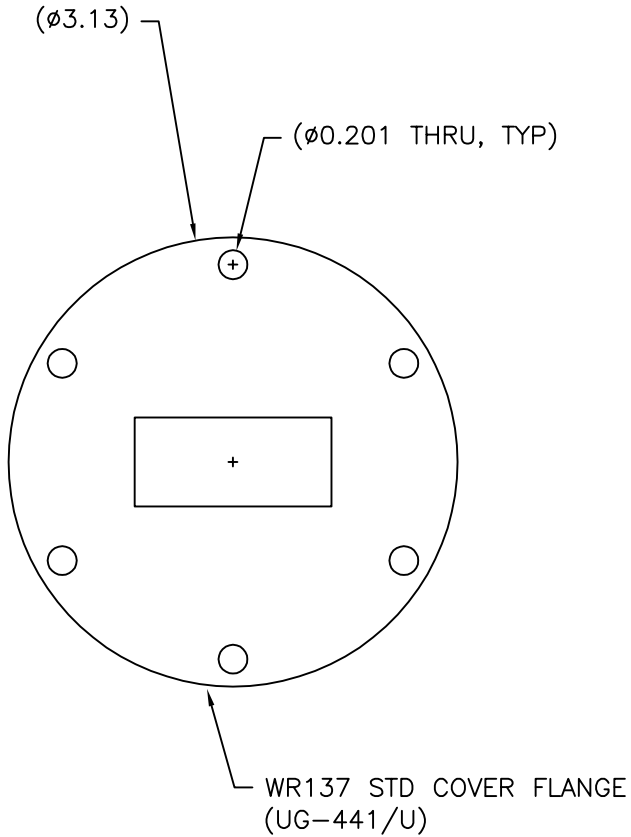
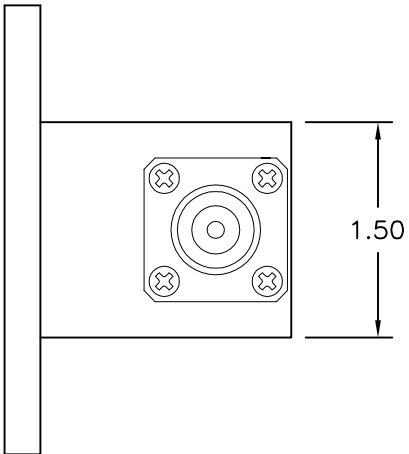


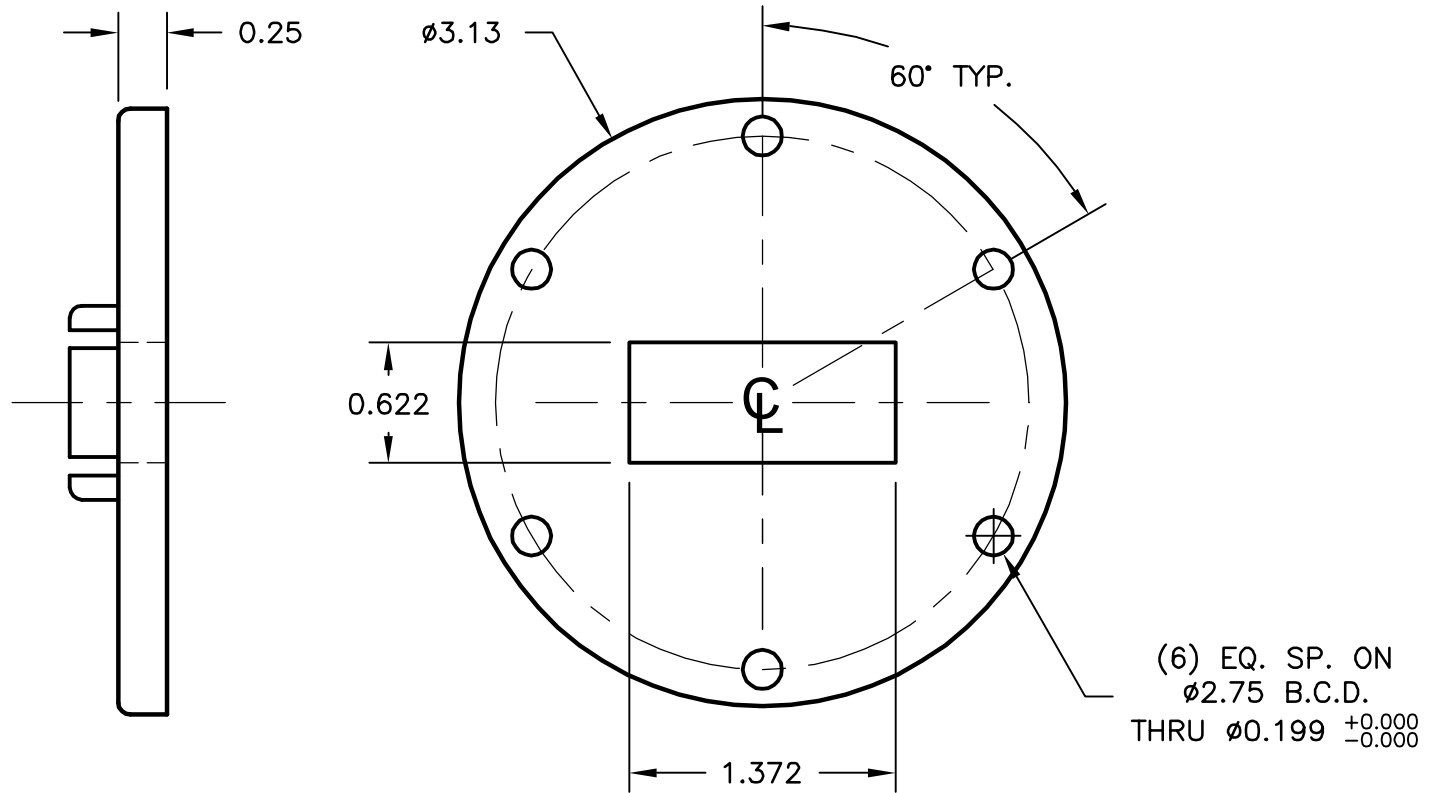
REV A	AUTH DM	DATE 07/26/12	INITIAL RELEASE
B	DM	06/04/13	REMOVED PAINT



THIRD ANGLE PROJECTION:	APPROVALS	DATE	<b>ADVANCED TECHNICAL MATERIALS, INC.</b> TEL: (631) 289-0363 FAX: (631) 289-0358 www.atmmicrowave.com	<small>THE INFORMATION IN THIS DRAWING IS PROPRIETARY AND SHALL NOT BE USED OR DISCLOSED WITHOUT THE PRIOR WRITTEN CONSENT OF ATM, INC. DO NOT SCALE DWG.</small>
	UNLESS OTHERWISE NOTED, DIMENSIONS ARE IN INCHES, TOLERANCES ARE:  FRACTIONS: $\pm 1/64$ ANGLES: $\pm 1/2^\circ$  MACHINED FINISH 63 $\checkmark$ OR BETTER	DRAWN <b>DM</b> CHKD. APRVD.		
DECIMALS 2 PLACE   3 PLACE  <b><math>\pm .01</math></b>   <b><math>\pm .005</math></b>	MATERIAL <b>ALUMINUM</b> TREATMENT <b>CHEM FILM</b>	<b>OUTLINE</b> <b>WR137 WG-COAX ADAPTER</b>		REVISION <b>B</b>
		SIZE <b>A</b> SCALE <b>NONE</b>	CAGE CODE <b>OR8N4</b> MODEL # <b>137-253A-6</b>	ATM DWG # <b>14156</b> SHEET <b>1/1</b>

EQUIVALENT TO;


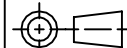
TYPE	MATERIAL
UG 441/U	ALUMINUM
UG 344/U	BRASS



(6) EQ. SP. ON  
 $\varnothing 2.75$  B.C.D.  
 THRU  $\varnothing 0.199 \begin{matrix} +0.000 \\ -0.000 \end{matrix}$

NOTES:

- ALL DRAWINGS INDICATE APPLICABLE MATING DIMENSIONS. NON INTERFACE VARIABLES SUCH AS THICKNESS, CORRAL DIMENSIONS, AND MATERIALS MAY VARY DEPENDING ON PRODUCT CONFIGURATION.

MATERIAL	SEE NOTES	TREATMENT	-	DRAWN	DRH	DATE	12/15/04
FINISH	-	MOD NO.	-	CHECKED		DATE	
WR137 COVER FLANGE						APPROVED	DATE
						CAGE CODE: OR8N4	DO NOT SCALE DWG
ADVANCED TECHNICAL MATERIALS, INC. 49 RIDER AVE., PATCHOGUE N.Y. 11772 TEL: (631) 289-0363 FAX: (631) 289-0358 <a href="http://www.atmmicrowave.com">http://www.atmmicrowave.com</a>				UNLESS OTHERWISE NOTED DIMENSIONS ARE IN INCHES TOLERANCES ARE:		FRACTIONS $\pm 1/64$ DECIMALS $\pm .03$ ANGLES $\pm 1/2^\circ$	SHEET. 1/1
 PROPRIETARY NOTICE: THE INFORMATION IN THIS DRAWING IS PROPRIETARY AND SHALL NOT BE USED OR DISCLOSED WITHOUT THE PRIOR WRITTEN CONSENT OF ATM, INC.				 SCALE N.T.S.		DWG. NO. 7102W	REV. -