

## OSM (SMA) Miniature

### Features

- DC - 18 GHz, Round Body
- Thin Film Technology
- Complete In-House Capability
- Broadband Operation

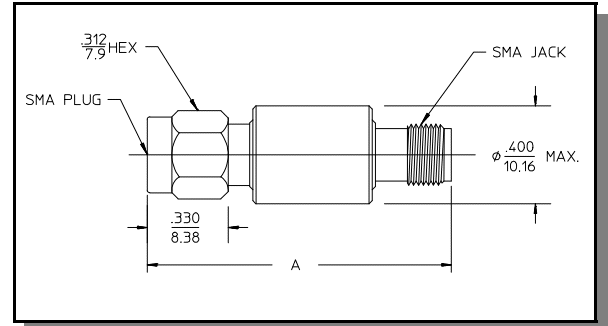
### Description

SMA Miniature series fixed attenuators offer precision reliable performance in a compact package. Maximum electrical flexibility can be achieved by choosing the proper unit from the series listed below. Rugged construction and thermal stability assure high performance in military and space applications.

### Specifications

Part Number Plug - Jack	Attenuation (dB)
2082-6191-00	0.0 + 0.30
2082-6191-01	1.0 + 0.30
2082-6191-02	2.0 + 0.30
2082-6191-03	3.0 ± 0.30
2082-6192-04	4.0 ± 0.30
2082-6192-05	5.0 ± 0.30
2082-6192-06	6.0 ± 0.30
2082-6193-07	7.0 ± 0.50
2082-6193-08	8.0 ± 0.50
2082-6193-09	9.0 ± 0.50
2082-6193-10	10.0 ± 0.50
2082-6194-11	11.0 ± 0.75
2082-6194-12	12.0 ± 0.75
2082-6194-13	13.0 ± 0.75
2082-6194-14	14.0 ± 0.75
2082-6194-15	15.0 ± 0.75
2082-6194-16	16.0 ± 0.75
2082-6194-17	17.0 ± 0.75
2082-6194-18	18.0 ± 0.75
2082-6194-19	19.0 ± 0.75
2082-6194-20	20.0 ± 0.50
2082-6195-30	30.0 ± 0.75

### Outline Drawing

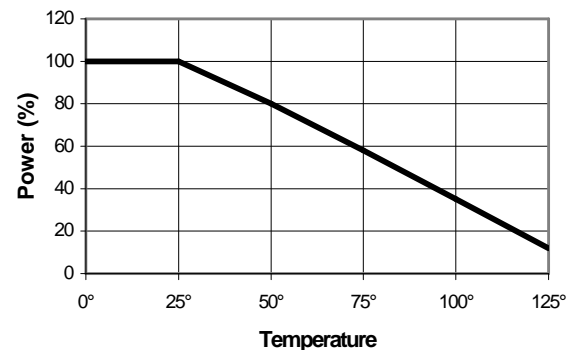


dB	Dim. A	Weight
0 - 30	1.24 (31.5 mm)	.26 oz. Max. (8g)

NOTE: All dimensions are ± .020, except mounting hole diameters (± .005) and mounting hole locations (± .010).

Frequency	Power
DC - 18.0 GHz	2 Watts Average 500 Watts Peak See Derating Curve
VSWR	Finish
DC - 4 GHz, 1.15 4 - 12.4 GHz, 1.25 12.4 - 18 GHz, 1.35	Passivated Stainless Steel

### Power Derating



**5 and 10 Watt**

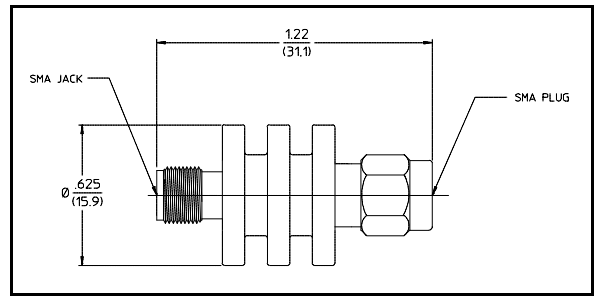
**Features**

- Low VSWR
- DC - 18.0 GHz
- Flat Attenuation
- Precision SMA Connectors
- No Hazardous Beryllium Oxide
- N Custom Capability

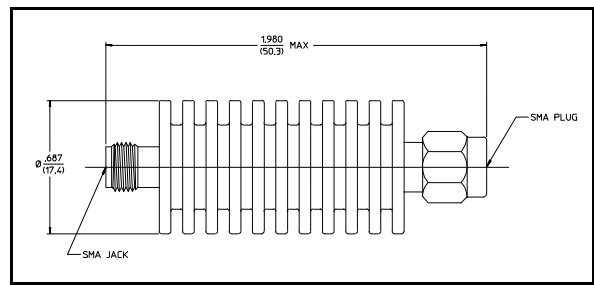
**Description**

The 5 and 10 Watt units have been designed for use where stable, broadband, medium power units are required. They feature stainless steel connectors and black anodized aluminum heat sink bodies. Standard connector configuration is plug-jack.

**5 Watt**



**10 Watt**



**5 Watt SMA**

Part Number	Attenuation (dB)	Frequency Range (GHz)
2082-6524-03	3.0 ± 0.30	DC - 18.0
2082-6524-06	6.0 ± 0.30	
2082-6524-10	10.0 ± 0.50	
2082-6524-20	20.0 ± 0.75	

Power	Weight
(Avg): 5 Watts CW (25°C) (Peak): 500 Watts Max.	0.5 oz. (14g) Max.
Temperature Range	VSWR
-55°C to +125°C	DC to 4 GHz, 1.15 4 to 12.4 GHz, 1.25 12.4 to 18 GHz, 1.35

**10 Watt SMA**

Part Number	Attenuation (dB)	Frequency Range (GHz)
2082-6502-03	3.0 ± 0.30	DC - 18.0
2082-6502-06	6.0 ± 0.30	
2082-6502-10	10.0 ± 0.50	
2082-6502-20	20.0 ± 0.75	

Power	Weight
(Avg): 10 Watts CW (25°C) (Peak): 500 Watts Max.	1.0 oz. (28g) Max.
Temperature Range	VSWR
-55°C to +125°C	DC to 8 GHz, 1.20 8 to 12.4 GHz, 1.30 12.4 to 18 GHz, 1.40

Specifications subject to change without notice.

- North America: Tel. (800) 366-2266
- Asia/Pacific: Tel.+81-44-844-8296, Fax +81-44-844-8298
- Europe: Tel. +44 (1344) 869 595, Fax+44 (1344) 300 020

Visit [www.macom.com](http://www.macom.com) for additional data sheets and product information.



**SMA Subminiature**

**Features**

- Small Size, .86 and 1.02 Overall Length
- Thin Film Technology
- Light Weight
- Broadband Operation
- Rugged Construction
- Complete In-House Capability

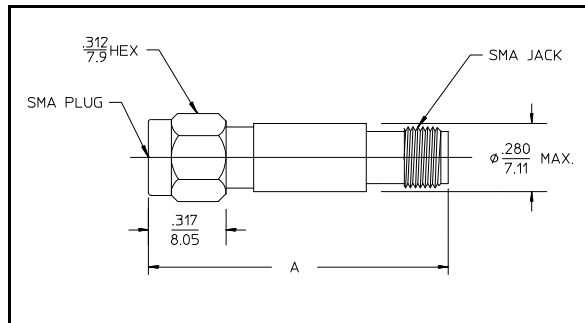
**Description**

SMA subminiature series attenuators are extremely compact; as small as 0.28 inches in diameter and 0.86 inches long. This series was designed for broadband precision operation where flat frequency response and minimum size and weight are necessary. The rugged construction and thermal stability assure high performance in military and space applications.

**Specifications**

Part Number Plug - Jack	Attenuation (dB)
2082-6040-00	0.0 ± 0.30
2082-6040-01	1.0 ± 0.30
2082-6040-02	2.0 ± 0.30
2082-6040-03	3.0 ± 0.30
2082-6041-04	4.0 ± 0.30
2082-6041-05	5.0 ± 0.30
2082-6041-06	6.0 ± 0.30
2082-6042-07	7.0 ± 0.50
2082-6042-08	8.0 ± 0.50
2082-6042-09	9.0 ± 0.50
2082-6042-10	10.0 ± 0.50
2082-6043-11	11.0 ± 0.75
2082-6043-12	12.0 ± 0.75
2082-6043-13	13.0 ± 0.75
2082-6043-14	14.0 ± 0.75
2082-6043-15	15.0 ± 0.75
2082-6043-16	16.0 ± 0.75
2082-6043-17	17.0 ± 0.75
2082-6043-18	18.0 ± 0.75
2082-6043-19	19.0 ± 0.75
2082-6043-20	20.0 ± 0.50
2082-6044-30	30.0 ± 0.75

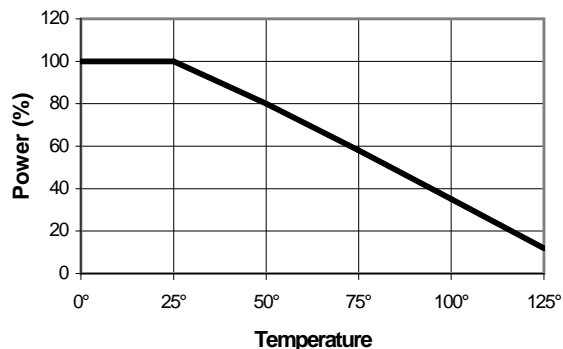
**Outline Drawing**



dB	Dim. A	Weight
0 - 12	0.86 (21.8 mm)	.18 oz. Max. (5g)
13 - 30	1.02 (25.9 mm)	.21 oz. Max. (6g)

Frequency	Power
DC - 18.0 GHz	2 Watts Average 500 Watts Peak See Derating Curve
VSWR	Finish
DC - 4 GHz, 1.15 4 - 12.4 GHz, 1.25 12.4 - 18 GHz, 1.35	Passivated Stainless Steel

**Power Derating**



Specifications subject to change without notice.

- North America: Tel. (800) 366-2266
- Asia/Pacific: Tel.+81-44-844-8296, Fax +81-44-844-8298
- Europe: Tel. +44 (1344) 869 595, Fax+44 (1344) 300 020

Visit [www.macom.com](http://www.macom.com) for additional data sheets and product information.

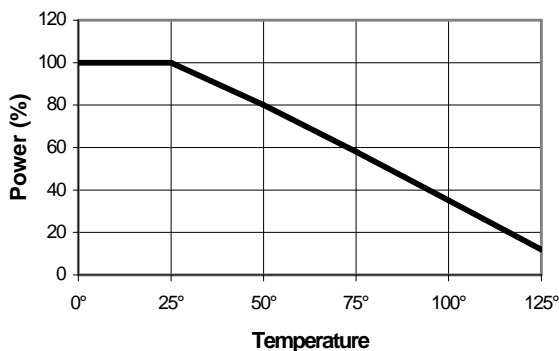


## SMA Miniature, Round Body

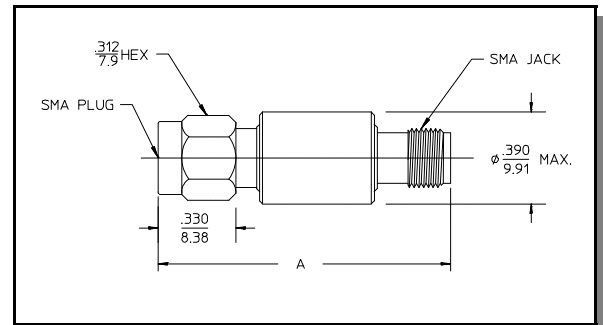
### Description

Any standard attenuator shown below is available with any combination of plug and jack connectors, as well as attenuation values as identified in part number table on previous page. Contact factory for part numbers and complete specifications.

### Power Derating



### Outline Drawing



dB	Dim. A	Weight
0 - 30	1.24 (31.5 mm)	.30 oz. Max. (8g)
31 - 60	1.80 (45.7 mm)	.40 oz. Max. (11g)

### Specifications

Part Number Plug - Jack	Attenuation (dB)
2082-6171-03	3.0 ± 0.30
2082-6172-06	6.0 ± 0.30
2082-6173-10	10.0 ± 0.5
2082-6174-20	20.0 ± 0.50
2082-6175-30	30.0 ± 0.75
2082-6176-40	40.0 ± 1.00

Frequency	Power
DC - 4 GHz	2 Watts Average 500 Watts Peak See Derating Curve
VSWR	Finish
DC - 4 GHz, 1.15	Passivated Stainless Steel

Specifications subject to change without notice.

- North America: Tel. (800) 366-2266
- Asia/Pacific: Tel.+81-44-844-8296, Fax +81-44-844-8298
- Europe: Tel. +44 (1344) 869 595, Fax+44 (1344) 300 020

Visit [www.macom.com](http://www.macom.com) for additional data sheets and product information.