

MA-7501 Series Multi-Position

◆ ■ ● ▲ Electrical and Mechanical Characteristics

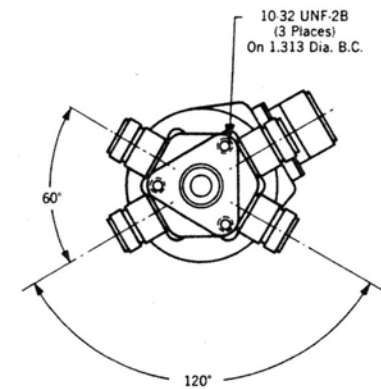
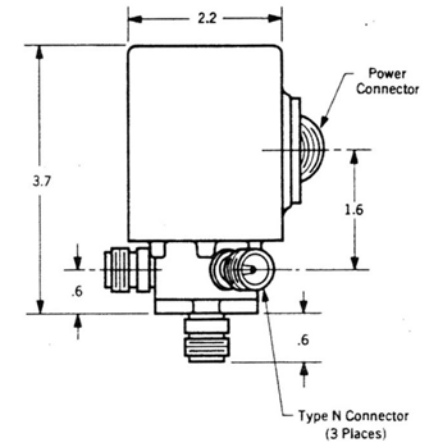
Remote (Stepping)

D	B	A	A	Frequency	DC-11 GHz
F	T	C	—	Max. Average RF Power:	
H	N			DC to 30 MHz	3 kW
K				30 to 300 MHz	1.2 kW
				300 MHz to 3 GHz	300 Watts
				RMS Voltage Rating	500 V
				VSWR, Max :	
				N or TNC Connectors	
				DC to 5 GHz	1.3
				5 to 11 GHz	1.5
				BNC Connectors	
				DC to 6 GHz	1.4

Manual

A	B	M	—	Insertion Loss, Max.:	
C	T			N or TNC Connectors	
D	N			DC to 5 GHz	0.3 dB
E				5 to 11 GHz	0.5 dB
F				BNC Connectors	
G				DC to 6 GHz	0.3 dB
H				Isolation, Min.:	
J				DC to 3 GHz	60 dB
K				3 to 11 GHz	40 dB
				Operating Life, Min.	100,000 cycles
				Operating Temperature Range	−55°C to +85°C
				Switching Rate, Max.	40 cycles per minute
				Switching Time, Max.	0.1 seconds per 60° throw
				Power Connectors	MS-3102 Series
				Weight:	
				Remote	2 lb 1 oz. Max.
				Manual	1 lb 3 oz. Max.

Remote Stepping



Manual

