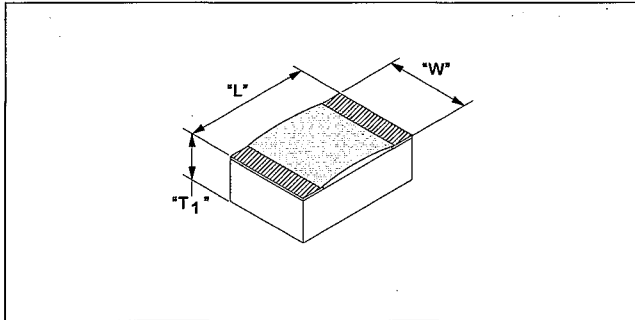
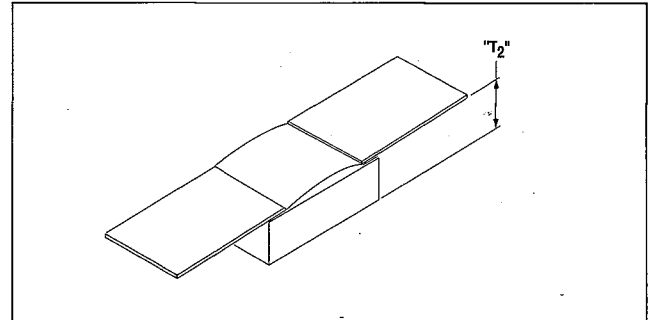


CHIP RESISTORS



CRXX



CRXXT2

SPECIFICATIONS:

Operating Temperature:	-55° to +150°C
Operating Frequency:	DC - 6 GHz
Resistance Values:	50Ω and 100Ω standard
Resistance Tolerance:	± 1% and ± 5% standard
Dissipation:	Full rated power at 125°C
Derating:	Linear to zero power at 150°C
Substrate Material:	Alumina
Tab:	Copper, gold plated
Termination Material:	Platinum gold, thick film
Resistive Film:	Thick film, passivated
Resistance Temperature Coefficient:	± 100 ppm/°C

Model #	Power Rating @ 125°C	"L" (inches)	"W" (inches)	"T ₁ " (inches)	"T ₂ " (inches)	Resistance Values Available
CR05*	1/20 watt	0.050	0.050	0.012	-	10Ω to 5KΩ
CR12	1/8 watt	0.120	0.060	0.012	0.017	10Ω to 10KΩ
CR15	1/4 watt	0.150	0.075	0.012	0.017	10Ω to 10KΩ
CR16*	1/20 watt	0.075	0.025	0.020	-	10Ω to 1KΩ
CR17	1/4 watt	0.100	0.050	0.020	0.025	10Ω to 1KΩ
CR20	1 watt	0.230	0.100	0.020	0.025	10Ω to 5KΩ

*Not available in T2 configurations

NOTES:

- Units are designed to meet performance requirements of MIL-R-55342.
- Add suffix "S" to model number for pretinning.
- Specify resistance value and tolerance when ordering.