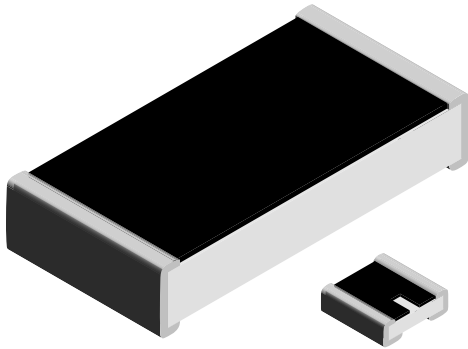


Thick Film Chip Resistors, Industrial

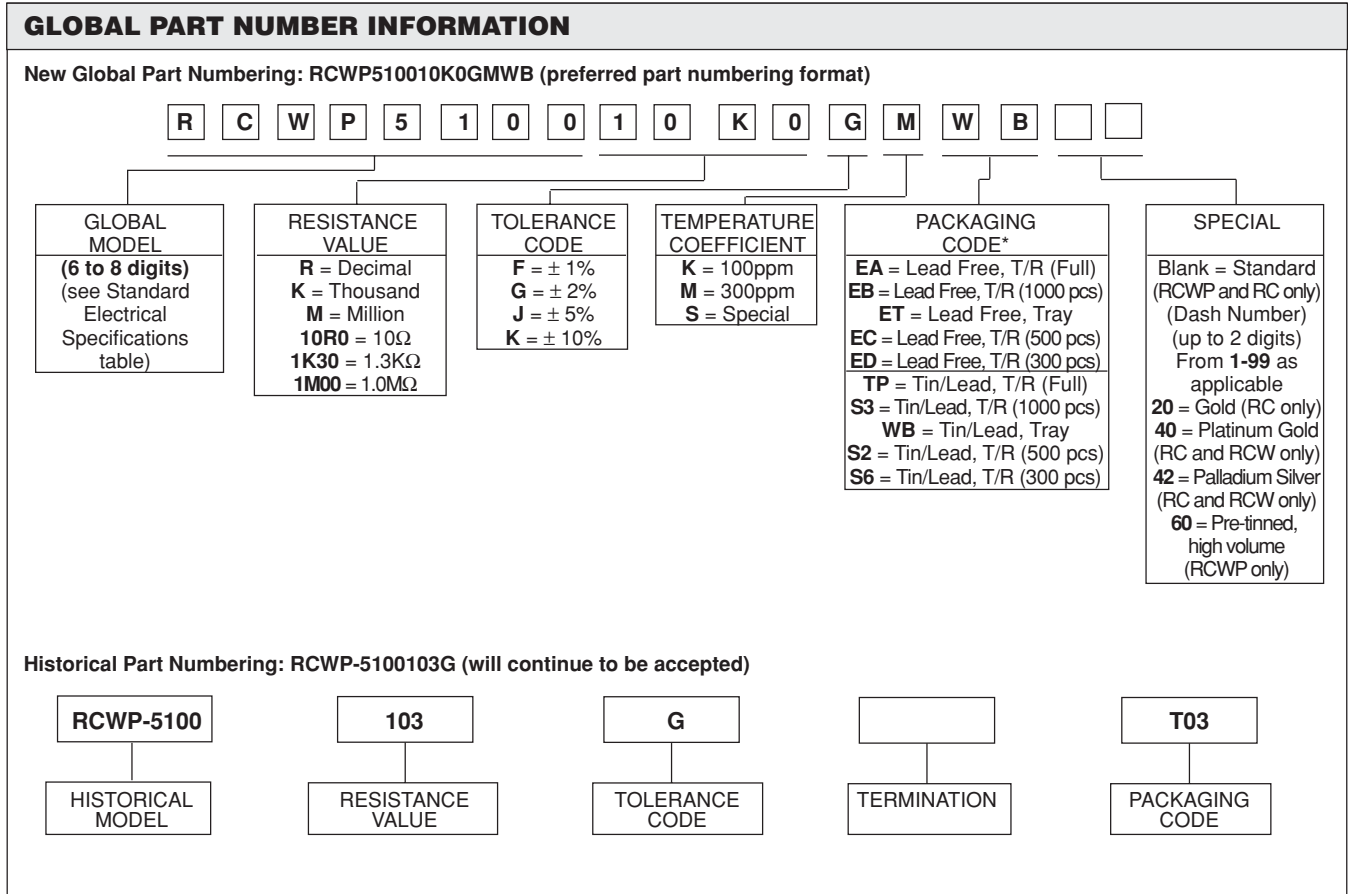


FEATURES

- Multiple styles, termination materials and configurations, allow wide design flexibility
- Operating temperature range: - 55°C to + 150°C
- Same materials and construction as MIL-PRF-55342 chip resistors
- Termination: Solder pre-tinned electrodes standard. Gold, platinum gold or palladium silver available.
- Capability to develop specific reliability programs designed to customer requirements
- Can be customized for special customer requirements (value, testing, pulse power, packaging etc.)
- Available in Standard Wraparound termination with pre-tinned nickel barrier (RCWP Series); Platinum Gold or Palladium Silver Wraparound terminations (RCW Series); and pre-tinned nickel barrier, Platinum Gold, or Palladium Silver One-Surface terminations (RC Series)

STANDARD ELECTRICAL SPECIFICATIONS					
GLOBAL MODEL	HISTORICAL MODEL	RESISTANCE RANGE* (Ω) AND TEMPERATURE COEFFICIENT RANGE		MAXIMUM OPERATING VOLTAGE VDC	POWER RATING $P_{70^{\circ}\text{C}}$ W
		$\pm 1\%$, $\pm 2\%$, $\pm 5\%$, $\pm 10\%$ $\pm 100\text{ppm}/^{\circ}\text{C}$, $\pm 300\text{ppm}/^{\circ}\text{C}$	$\pm 2\%$, $\pm 5\%$, $\pm 10\%$ $\pm 300\text{ppm}/^{\circ}\text{C}$		
RCWP0540, RCW0540, RC0540	RCWP-540 RCW-540, RC-540	10 Ω - 499k Ω	3 Ω - 4.7M Ω	40	0.08
RCWP0550, RCW0550, RC0550	RCWP-550 RCW-550, RC-550	10 Ω - 499k Ω	2 Ω - 4.7M Ω	50	0.10
RCWP0575, RCW0575, RC0575	RCWP-575 RCW-575, RC-575	10 Ω - 1M Ω	2 Ω - 10M Ω	70	0.15
RCWP5100, RCW5100, RC5100	RCWP-5100 RCW-5100, RC-5100	10 Ω - 1M Ω	3 Ω - 15M Ω	100	0.20
RCWP1206, RCW1206, RC1206	RCWP-1206 RCW-1206, RC-1206	10 Ω - 1M Ω	3 Ω - 15M Ω	100	0.25
RCWP5150, RCW5150, RC5150	RCWP-5150 RCW-5150, RC-5150	10 Ω - 1M Ω	3 Ω - 20M Ω	125	0.35
RCWP1100, RCW1100, RC1100	RCWP-1100 RCW-1100, RC-1100	10 Ω - 499k Ω	3 Ω - 7.5M Ω	100	0.40
RCWP7225, RCW7225, RC7225	RCWP-7225 RCW-7225, RC-7225	10 Ω - 1M Ω	3 Ω - 20M Ω	200	0.60
RCWP2010, RCW2010, RC2010	RCWP-2010 RCW-2010, RC-2010	10 Ω - 1M Ω	3 Ω - 20M Ω	200	0.80
RCWP2512, RCW2512, RC2512	RCWP-2512 RCW-2512, RC-2512	10 Ω - 1M Ω	5 Ω - 20M Ω	200	1.0
RCWP0603	RCWP-0603	10 Ω - 1M Ω	3 Ω - 1M Ω	50	0.07

*Consult factory for extended resistance range.

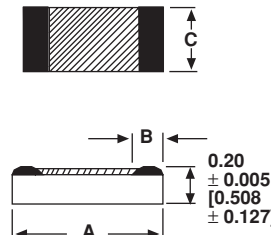
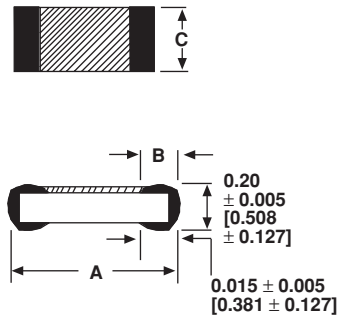


*Note: The RCW and the RC dash 20, 40 and 42 products do not contain lead. Use tin/lead packaging codes to specify these lead free RCW and RC products. Use lead free packaging codes to specify all other lead free RCWP and RC products.

DIMENSIONS

RCWP/RCW
(Wraparound termination)

RC
(One-surface termination)



DIMENSIONS [in millimeters]			
GLOBAL MODEL	A ± 0.005 [0.127]	B ± 0.005 [0.127]	C ± 0.005 [0.127]
RCWP0540, RCW0540 RC0540	0.055 [1.40] 0.050 [1.27]	0.010 [0.254] 0.010 [0.254]	0.040 [1.02] 0.040 [1.02]
RCWP0550, RCW0550 RC0550	0.055 [1.40] 0.050 [1.27]	0.010 [0.254] 0.010 [0.254]	0.050 [1.27] 0.050 [1.27]
RCWP0575, RCW0575 RC0575	0.080 [2.03] 0.075 [1.91]	0.015 [0.381] 0.015 [0.381]	0.050 [1.27] 0.050 [1.27]
RCWP5100, RCW5100 RC5100	0.105 [2.67] 0.100 [2.54]	0.015 [0.381] 0.015 [0.381]	0.050 [1.27] 0.050 [1.27]
RCWP1206, RCW1206 RC1206	0.125 [3.18] 0.120 [3.05]	0.015 [0.381] 0.015 [0.381]	0.060 [1.52] 0.060 [1.52]
RCWP5150, RCW5150 RC5150	0.155 [3.94] 0.150 [3.81]	0.015 [0.381] 0.015 [0.381]	0.050 [1.27] 0.050 [1.27]
RCWP1100, RCW1100 RC1100	0.105 [2.67] 0.100 [2.54]	0.015 [0.381] 0.015 [0.381]	0.100 [2.54] 0.100 [2.54]
RCWP7225, RCW7225 RC7225	0.230 [5.84] 0.225 [5.72]	0.015 [0.381] 0.015 [0.381]	0.075 [1.91] 0.075 [1.91]
RCWP2010, RCW2010 RC2010	0.205 [5.21] 0.200 [5.08]	0.020 [0.508] 0.015 [0.381]	0.100 [2.54] 0.100 [2.54]
RCWP2512, RCW2512 RC2512	0.255 [6.48] 0.250 [6.35]	0.020 [0.508] 0.015 [0.381]	0.125 [3.18] 0.125 [3.18]
RCWP0603	0.063 [1.60]	0.012 [0.305]	0.031 [0.793]

