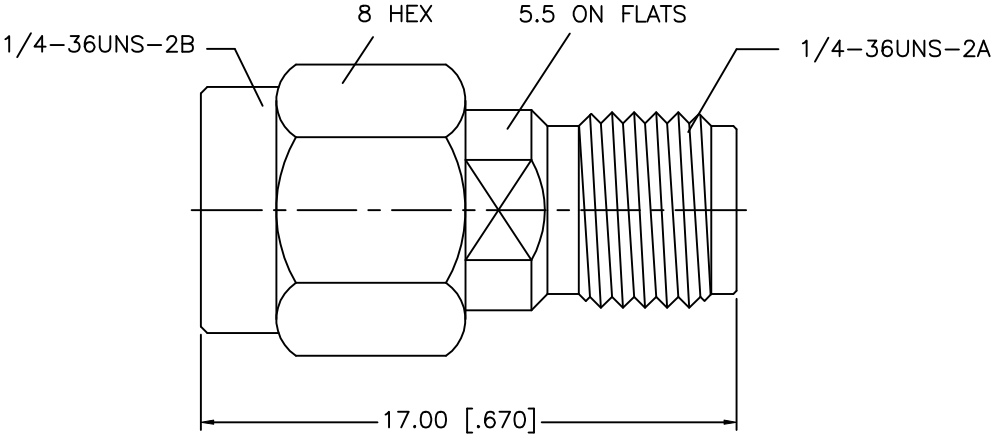


REV.	DATE	DESCRIPTION
NC	09/22/02	INITIAL RELEASE



8				UNLESS OTHERWISE SPECIFIED DIMENSIONS ARE IN MILLIMETERS	APPROVALS	DATE	<b>Amphenol - Connex</b> CONNECTOR CORPORATION					
7										DRAWN	G.R.S.	09/22/02
6							DIMENSIONS IN [ ] ARE IN INCHES FOR CUSTOMER REFERENCE ONLY	CHECKED		TITLE SMA PLUG TO REVERSE POLARIZED SMA JACK ADAPTOR		
5	GASKET	SILICONE	RED				ISSUED					
4	RETAINER RING	BER. COPPER	GOLD	UNLESS OTHERWISE SPECIFIED TOLERANCES FOR INCHES ARE: .XXX = ± 0.005" .XX = ± 0.010" .X = ± 0.020"			SIZE	FSCM NO.	DWG. NO.	REV.		
3	CONTACT PIN	BRASS	GOLD		A	99001	132171RP.DWG	NC				
2	INSULATOR	TEFLON	NATURAL									
1	BODY	BRASS	GOLD									
	DESCRIPTION	MATERIAL	FINISH	DO NOT SCALE DRAWING			SCALE	PART NO.		SHEET		
							NA	132171RP		1 OF 1		