

**DATASHEET**



**ELECTRICAL SPECIFICATIONS:**

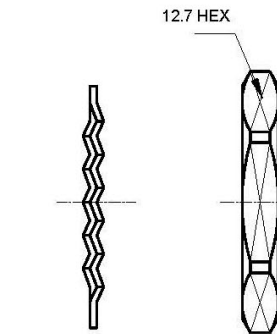
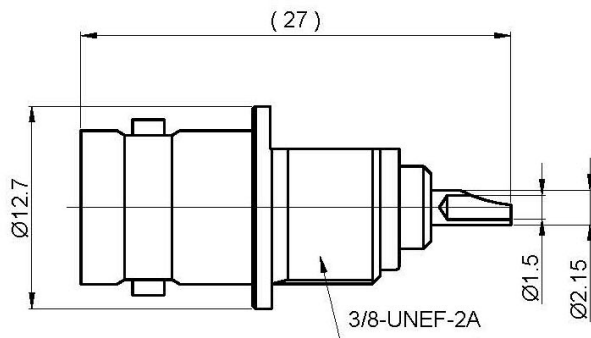
<b>Frequency range</b>	dc – 4 GHz
<b>Impedance</b>	50 Ω
<b>VSWR</b>	≤1.3
<b>Working voltage</b>	500 V <sub>RMS</sub>
<b>Insulation resistance</b>	5000 MΩ min.
<b>Temperature range</b>	-65 / +165 °C
<b>Life time</b>	500 mating

**MATERIAL SPECIFICATIONS:**

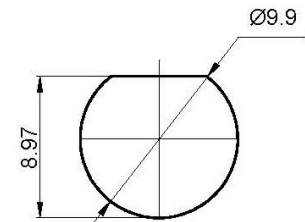
	<b>Materials</b>	<b>Finishes</b>
<b>Connector body</b>	Brass	Nickel plating
<b>Center contact</b>	Brass	Gold plating
<b>Ferrule</b>	Brass	Nickel plating
<b>Insulator</b>	PTFE	-



**Unit: mm**



LOCK-WASHER



RECOMMENDED  
 MOUNTING HOLE