

SPECIFICATION

ITEM : T 17.0*8.0*10.0

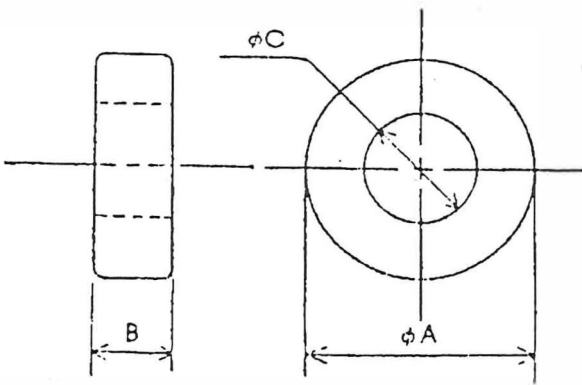
TEST EQUIPMENT : HP-4191A

FIXTURE : 16092A SPRING CLIP

CABLE : 0.65*62 TCW 1/2 TS

CONFIGURATION & SHAPES, DIMENSION, ELECTRICAL, TEST DATA

CONFIGURATION & SHAPES



DIMENSION(m/m)	
A	17.0 +/- 0.3
B	8.0 +/- 0.3
C	10.0 +/- 0.25
D	

ELECTRICAL DATA	
Z(OHM)	TEST FREQ(MHz)
35	25
110	100

TEST DATA

