

DATASHEET



ELECTRICAL SPECIFICATIONS:

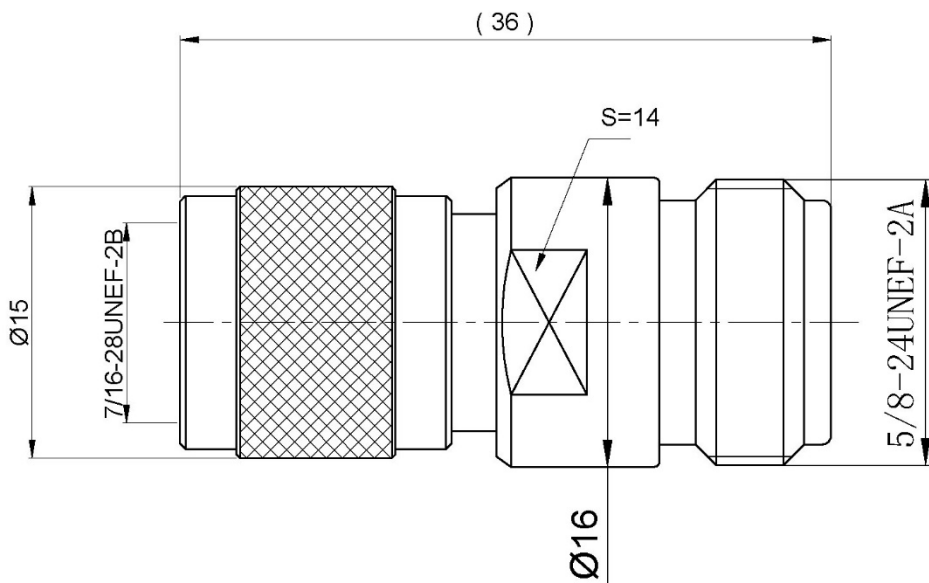
Impedance	50 Ω
Frequency range	dc – 6 GHz
VSWR	1.3 (max.)
Working voltage	1000 V _{RMS}
Insulation resistance	5000 MΩ
Mating	>500
Temperature range	-55 / +125 °C

MATERIAL SPECIFICATIONS:

	Materials	Finishes
Body	Brass	Nickel plating
Center contact	CuSnP	Gold plating
Insulator	PTFE	-



Unit: mm



1