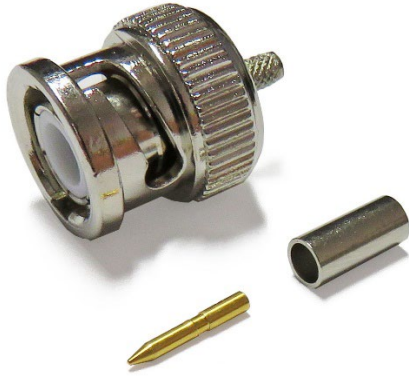


DATASHEET



ELECTRICAL SPECIFICATIONS:

Frequency range	dc – 2 GHz
Impedance	50 Ω
VSWR	≤1.38
Working voltage	750V/50Hz max.
Insulation resistance	5000 MΩ min.
Temperature range	-55 / +125 °C
Life time	>500 mating

MATERIAL SPECIFICATIONS:

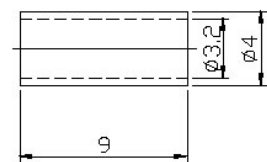
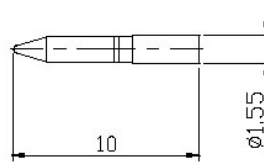
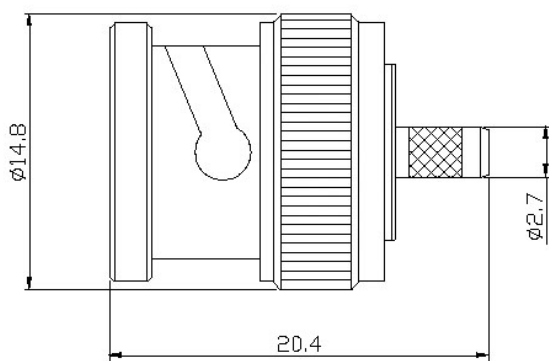
	Materials	Finishes
Connector body	Brass	Nickel plating
Center contact	Brass	Gold plating
Ferrule	Brass	Nickel plating
Insulator	PTFE	-

CABLE GROUP:

RG174 / RG188 / RG188A / RG316



Unit: mm



CABLE STRIPPING

