



OMNI FIT™ high performance connectors are designed for use with both CELLFLEX® (copper) and CELLFLEX® Lite (aluminum) cables. They are designed specifically to provide the highest quality connector-cable interface while simplifying and speeding up connector attachment. All RFS connectors are fully tested for mechanical and electrical compliance to industry specifications. The 4.3-10 connector is an innovative, space-saving RF connection meeting all requirements even under the most severe environmental conditions and not relying on coupling nut torque to meet PIM performance.

FEATURES / BENEFITS

- Cost effective two-piece design for safe and easy installation
- Robust mechanical design for low and consistent intermodulation performance i.e. keeps the mobile network performance up, reduces the number of dropped calls and avoids revenue losses
- Standard electrical performance for consistent and repeatable VSWR i.e. ensure network system performance
- Waterproof to IP 68 i.e. no downtime risk, secures revenue
- RoHS (EU) compliant i.e. can be used on a global basis



43MR-LCF12-C03

Technical features

GENERAL SPECIFICATIONS

Transmission Line Type		Coaxial Cable		
Cable Size		1/2		
Cable Type		Foam Dielectric		
Model Series		LCF12-50 Series	ICA12-50 Series	RCF12-50 Series
Connector Interface		4.3-10 Right Angle		
Connector Type		OMNI FIT™ Standard		
Sealing Method		O-ring		
Gender		Male		

ELECTRICAL SPECIFICATIONS

Nominal Impedance, ohms	Ohm	50		
3rd Order IM Product @ 2x20 Watts	dBc	-162 ; typical -166		
Maximum Frequency	GHz	6.0		
VSWR, Return Loss	VSWR (dB)	0 < f ≤ 2.2 GHz: 1.04 (34.1) 2.2 < f ≤ 2.7 GHz: 1.06 (30.7) 2.7 < f ≤ 3.7 GHz: 1.13 (24.3) 3.7 < f ≤ 5.0 GHz: 1.20 (20.8) 5.0 < f ≤ 6.0 GHz: 1.33 (17)		

MECHANICAL SPECIFICATIONS

Plating Outer/Inner		Trimetal/Silver		
Length	mm (in)	56.8 (2.23)		
Outer Diameter	mm (in)	36.1 (1.4)		
Inner Contact Attachment		Spring Finger		
Outer Contact Attachment		Spring O-Ring		

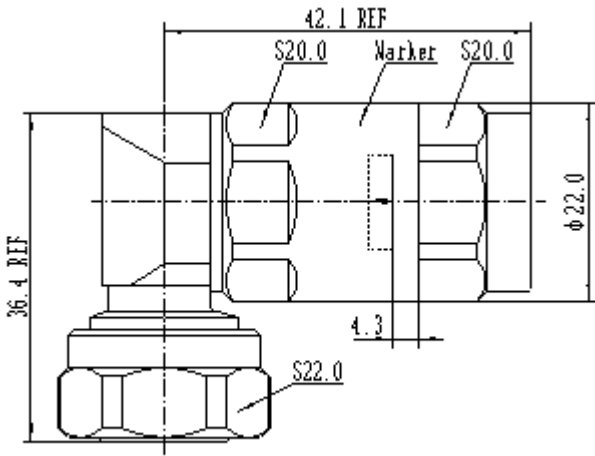
ACCESSORIES

Wrench size front	mm (in)	20 (13/16)		
Wrench size rear	mm (in)	20 (13/16)		



TESTING AND ENVIRONMENTAL

Waterproof Level		IP68
-------------------------	--	------



43MR-LCF12-C03 Outline drawing

External Document Links

[Application Note](#)

[Installation instruction](#)

Notes